

CGA6M1C0G3A392J200AC

TDK item description : CGA6M1C0G3A392JT***



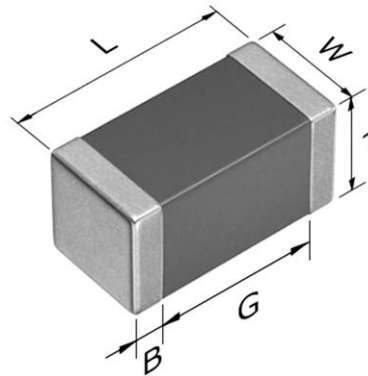
Equivalent C3225C0G3A392J for Automotive

Application & Main Feature

Automotive grade (General type)

Series

CGA6(3225) [EIA 1210]



Dimensions

| | |
|---|--------------|
| L | 3.20±0.40 mm |
| W | 2.50±0.30 mm |
| T | 2.00±0.20 mm |
| B | 0.20 mm min. |
| G | --- |

Temperature Characteristic

C0G (-55 to +125 degC, 0±30ppm/°C)

Rated Voltage

3A (1000Vdc)

Capacitance

3.9nF

Capacitance Tolerance

J (±5%)

Q

1,000 min.

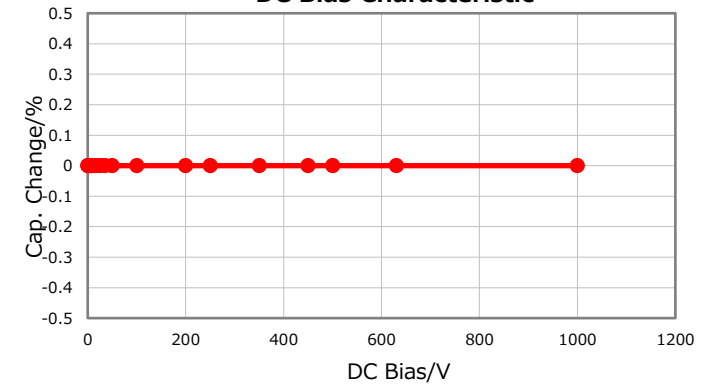
Insulation Resistance

10000 Mohm min.

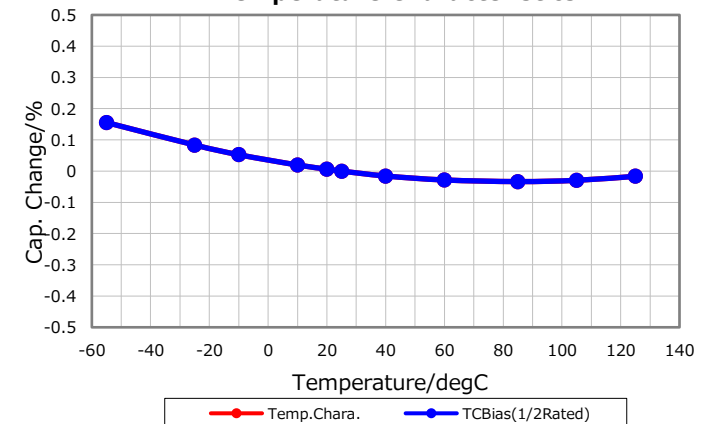
AEC-Q200

Yes

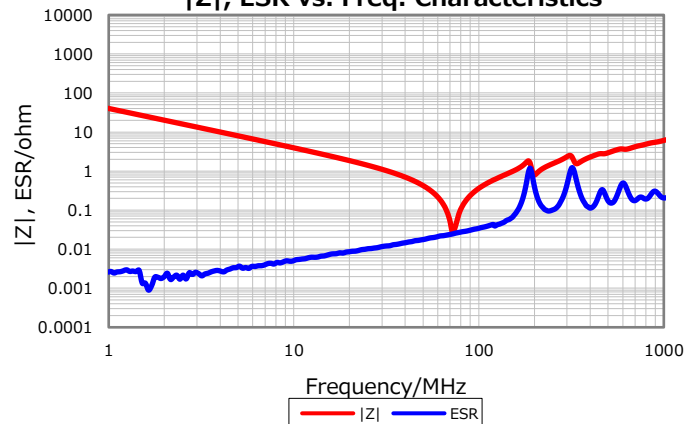
DC Bias Characteristic



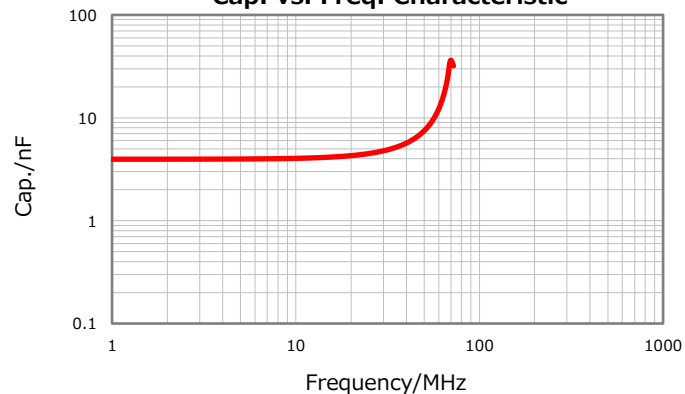
Temperature Characteristics



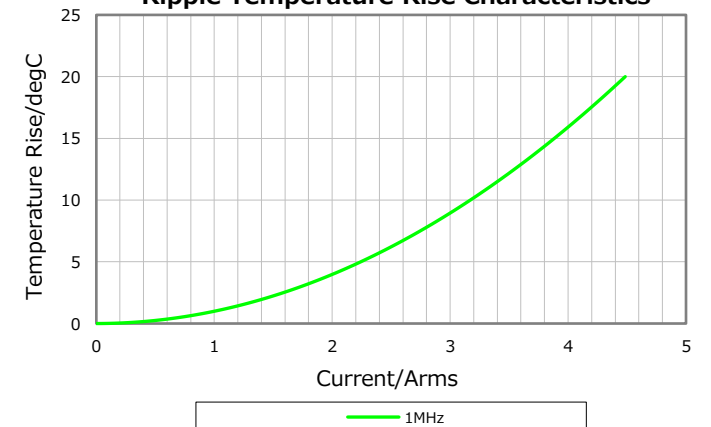
|Z|, ESR vs. Freq. Characteristics



Cap. vs. Freq. Characteristic



Ripple Temperature Rise Characteristics



Characterization Sheet (Multilayer Ceramic Chip Capacitors)



All specifications are subject to change without notice.

April 7, 2023