

CGA6M1X7S1A336M200AC

TDK item description : CGA6M1X7S1A336MT****



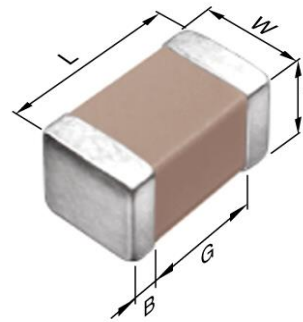
Equivalent C3225X7S1A336M for Automotive

Application & Main Feature

Automotive grade (General type)

Series

CGA6(3225) [EIA 1210]



Dimensions

L	3.20±0.40 mm
W	2.50±0.30 mm
T	2.00±0.20 mm
B	0.20 mm min.
G	---

Temperature Characteristic

X7S (-55 to +125 degC, ±22%)

Rated Voltage

1A (10Vdc)

Capacitance

33µF

Capacitance Tolerance

M (±20%)

DF

7.5 % max.

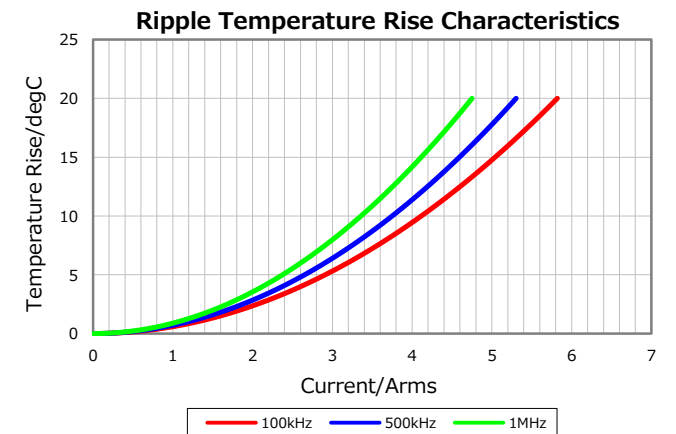
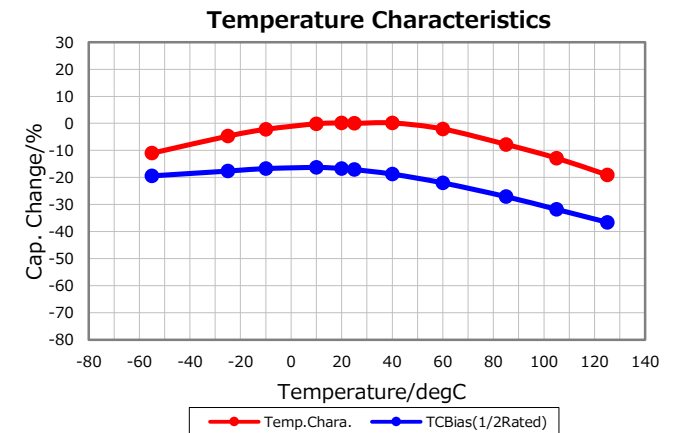
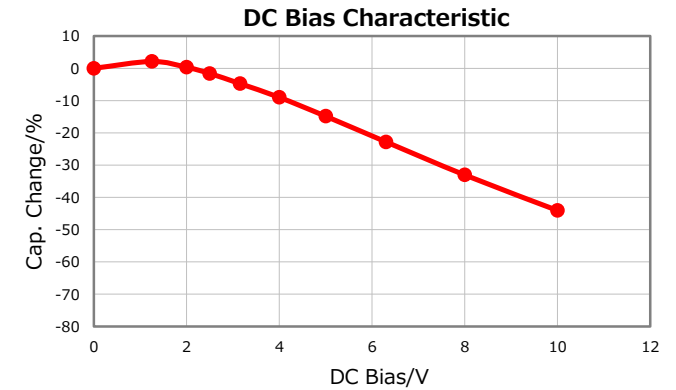
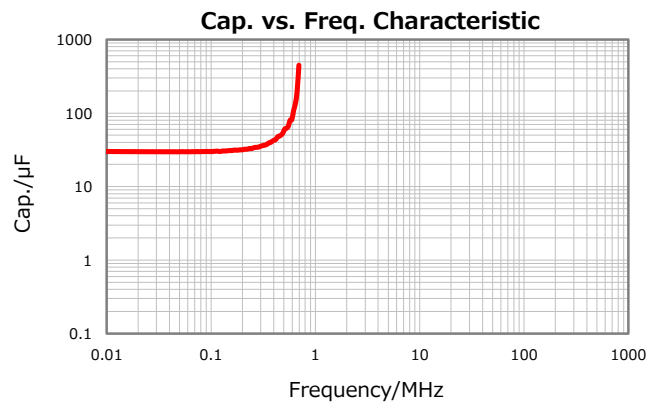
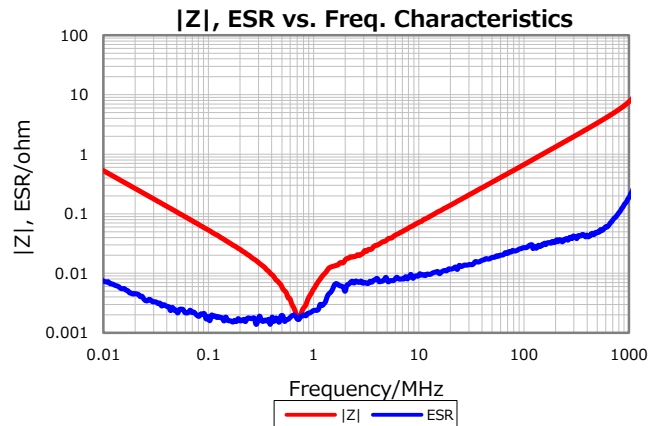
Insulation Resistance

3 Mohm min.

AEC-Q200

Yes

Characterization Sheet (Multilayer Ceramic Chip Capacitors)



All specifications are subject to change without notice.

June 28, 2020