

CGA6M3X7R1E156M200AB

TDK Item Description : CGA6M3X7R1E156MT****



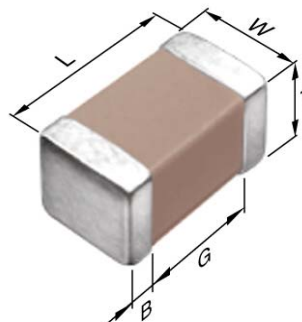
Equivalent C3225X7R1E156M for Automotive

Application & Main Feature

Automotive Grade (General (Up to 75V))

Series

CGA6(3225) [EIA CC1210]



Dimensions

L 3.20mm +/-0.4mm
 W 2.50mm +/-0.3mm
 T 2.00mm +/-0.2mm
 B 0.20mm Min.
 G ---

Temperature Characteristic

X7R (-55 to +125 degC +/-15%)

Rated Voltage

1E (25Vdc)

Capacitance

15uF

Capacitance Tolerance

M (+/-20%)

Dissipation Factor

5% Max.

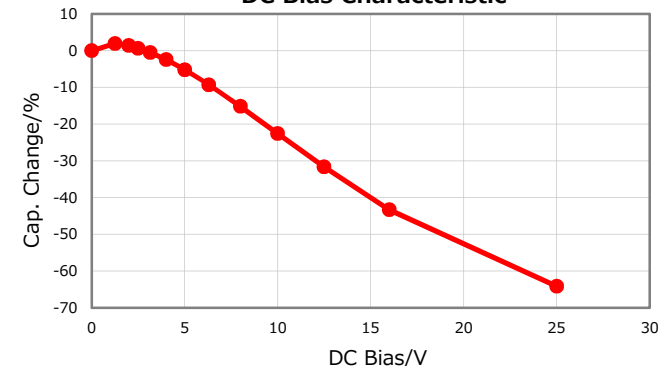
Insulation Resistance

33Mohm Min.

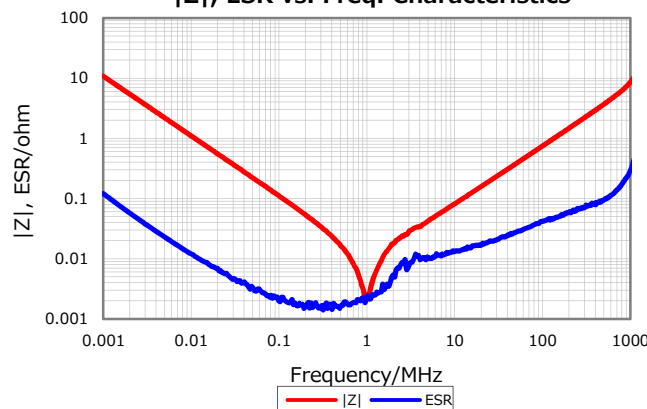
AEC-Q200

Yes

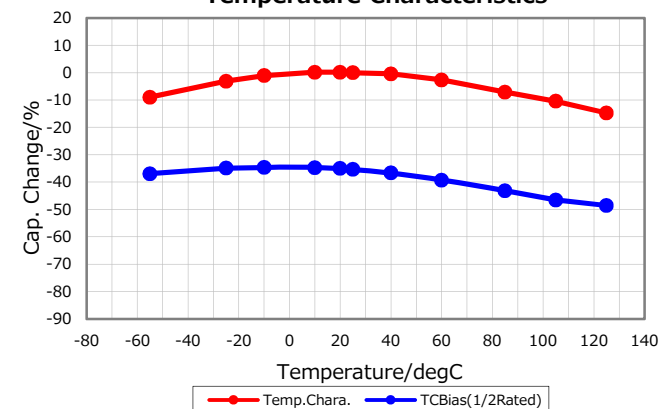
DC Bias Characteristic



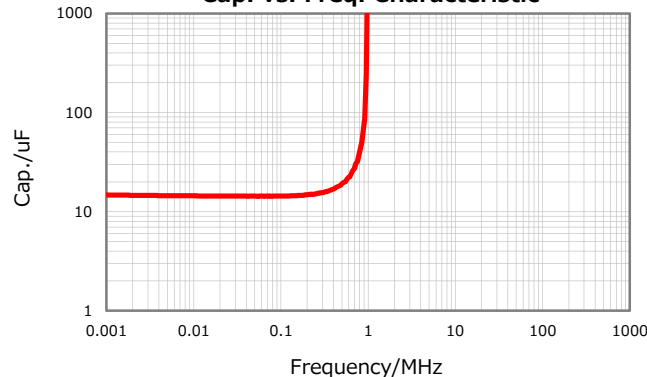
|Z|, ESR vs. Freq. Characteristics



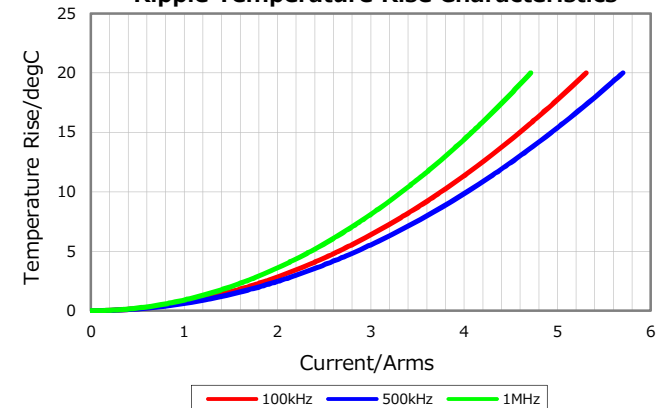
Temperature Characteristics



Cap. vs. Freq. Characteristic



Ripple Temperature Rise Characteristics



Characterization Sheet (Multilayer Ceramic Chip Capacitors)



All specifications are subject to change without notice.

March 29, 2019