

CGA6P1X7T0G107M250AC

TDK item description : CGA6P1X7T0G107MT****



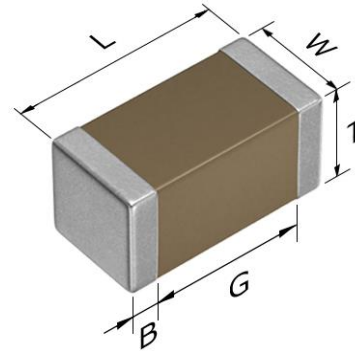
Equivalent C3225X7T0G107M for Automotive

Application & Main Feature

Automotive grade (General type)

Series

CGA6(3225) [EIA 1210]



Dimensions

L 3.20±0.40 mm
 W 2.50+0.40,-0.30 mm
 T 2.50+0.40,-0.30 mm
 B 0.20 mm min.
 G ---

Temperature Characteristic

X7T (-55 to +125 degC, +22/-33%)

Rated Voltage

0G (4Vdc)

Capacitance

100µF

Capacitance Tolerance

M (±20%)

DF

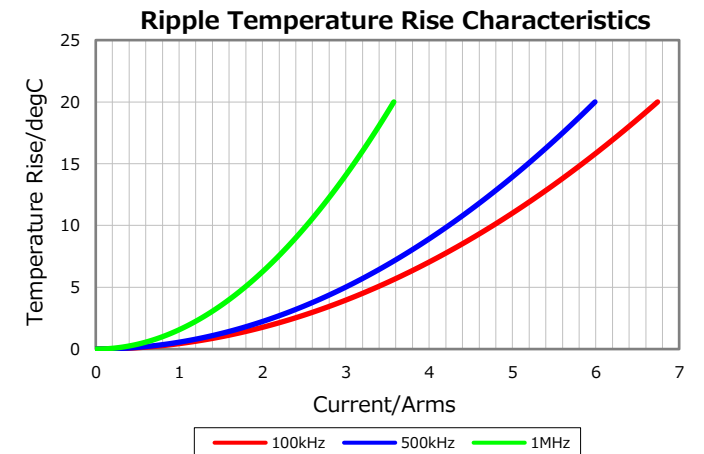
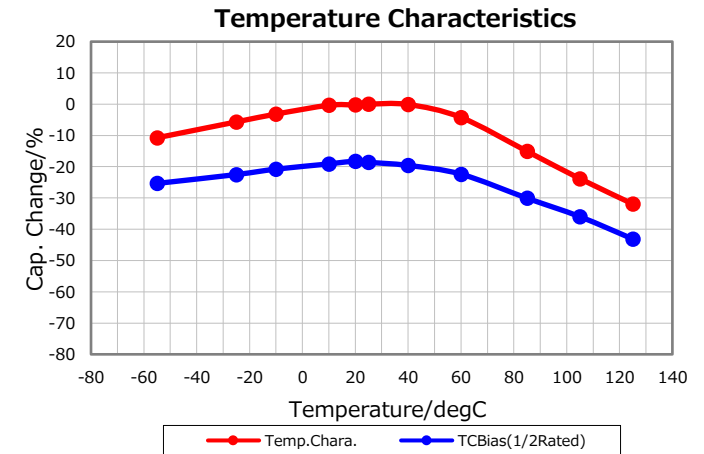
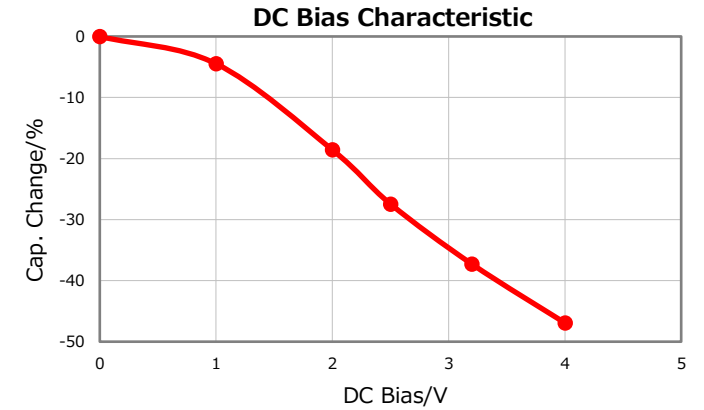
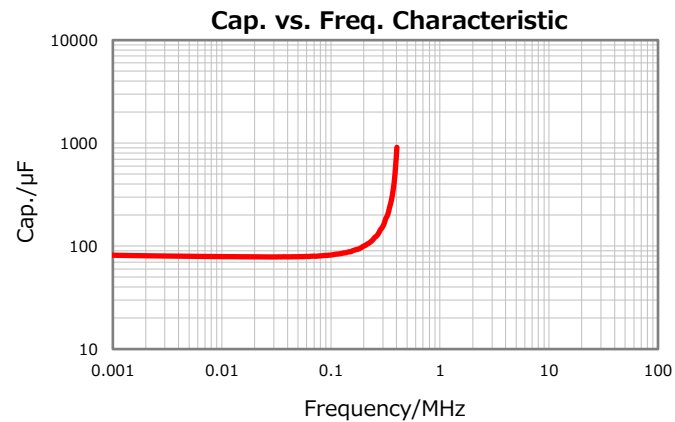
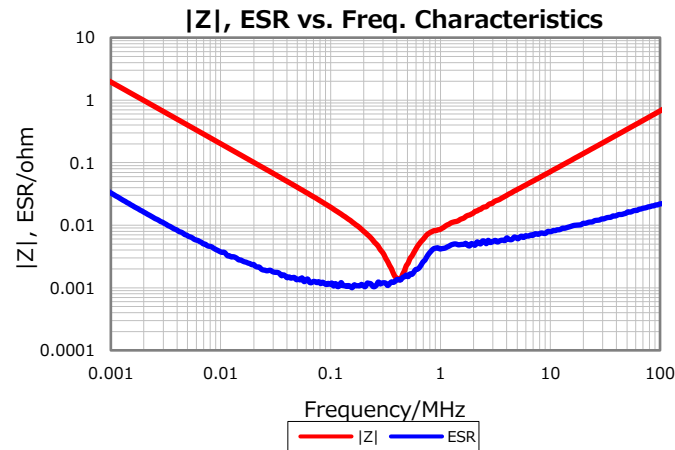
10 % max.

Insulation Resistance

1 Mohm min.

AEC-Q200

Yes



Characterization Sheet (Multilayer Ceramic Chip Capacitors)



All specifications are subject to change without notice.

February 24, 2021