

CGA6P3X7R1H475K250AE

TDK item description : CGA6P3X7R1H475KT***S



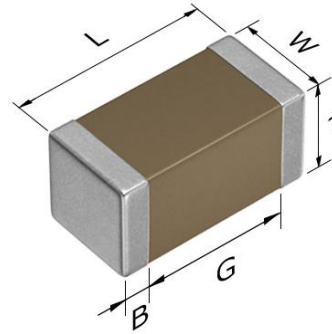
Equivalent C3225X7R1H475K for Automotive

Application & Main Feature

Automotive grade (Soft termination)

Series

CGA6(3225) [EIA 1210]



Dimensions

L	3.20±0.50,-0.40 mm
W	2.50±0.30 mm
T	2.50±0.30 mm
B	0.20 mm min.
G	---

Temperature Characteristic

X7R (-55 to +125 degC, ±15%)

Rated Voltage

1H (50Vdc)

Capacitance

4.7µF

Capacitance Tolerance

K (±10%)

DF

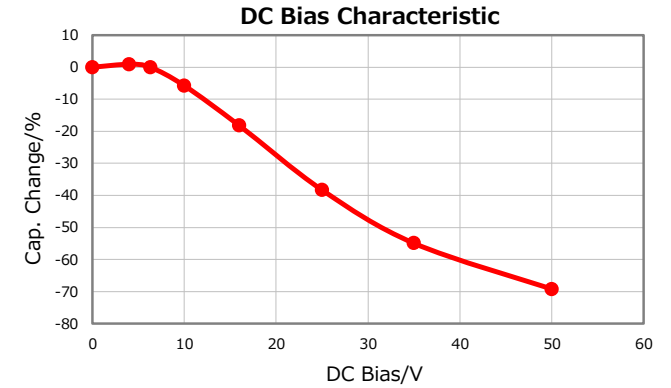
5 % max.

Insulation Resistance

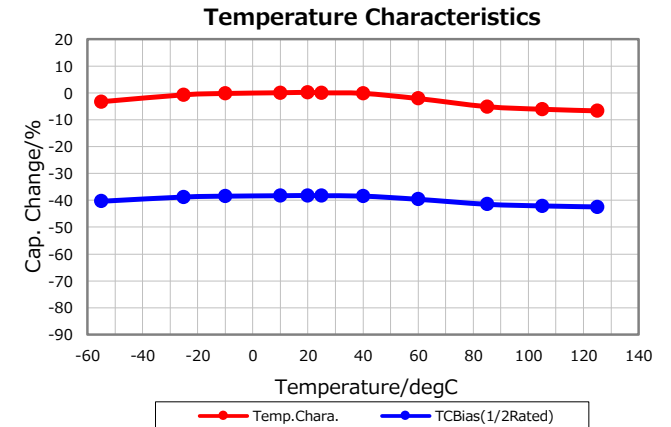
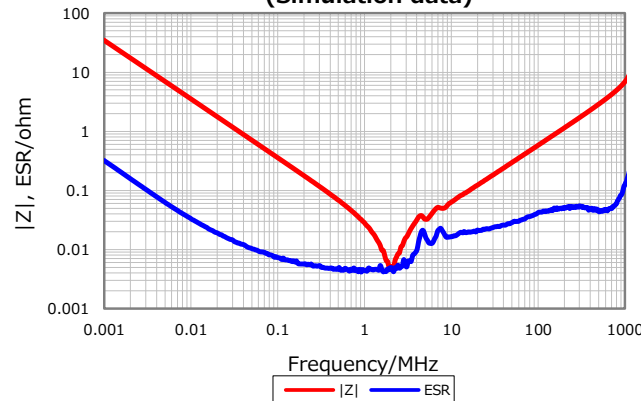
106 Mohm min.

AEC-Q200

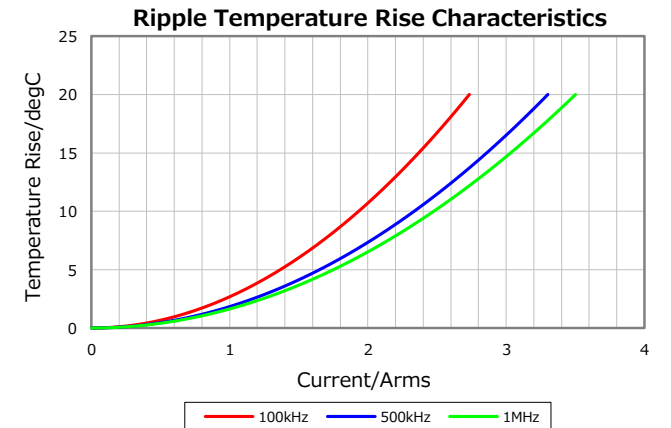
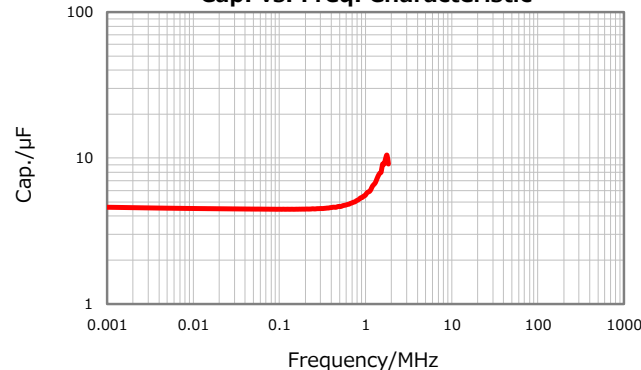
Yes



|Z|, ESR vs. Freq. Characteristics (Simulation data)



Cap. vs. Freq. Characteristic



Characterization Sheet (Multilayer Ceramic Chip Capacitors)



⚠ All specifications are subject to change without notice.