

CGA6P3X7S1H106K250AE

TDK item description : CGA6P3X7S1H106KT***S



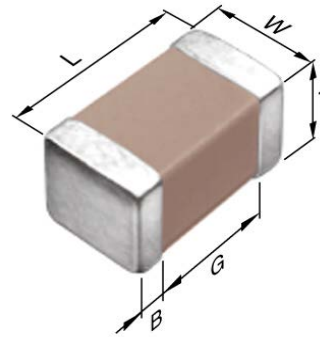
Equivalent C3225X7S1H106K for Automotive

Application & Main Feature

Automotive grade (Soft termination)

Series

CGA6(3225) [EIA 1210]



Dimensions

L 3.20+0.50/-0.40 mm
 W 2.50±0.30 mm
 T 2.50±0.30 mm
 B 0.20 mm min.
 G ---

Temperature Characteristic

X7S (-55 to +125 degC, ±22%)

Rated Voltage

1H (50Vdc)

Capacitance

10µF

Capacitance Tolerance

K (±10%)

Dissipation Factor

5 % max.

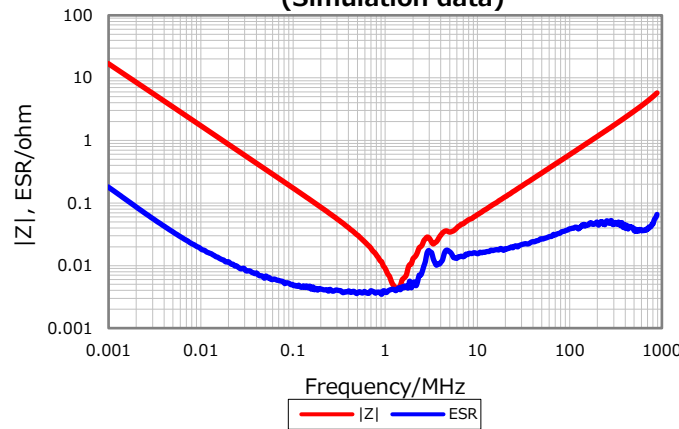
Insulation Resistance

50 Mohm min.

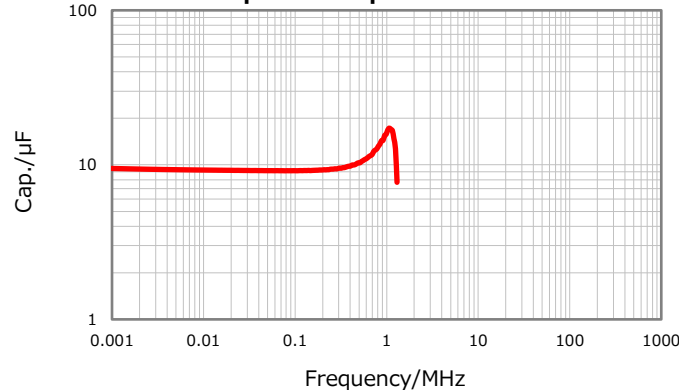
AEC-Q200

Yes

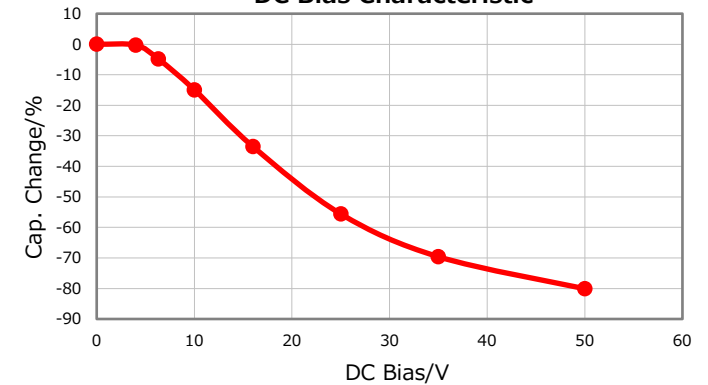
|Z|, ESR vs. Freq. Characteristics (Simulation data)



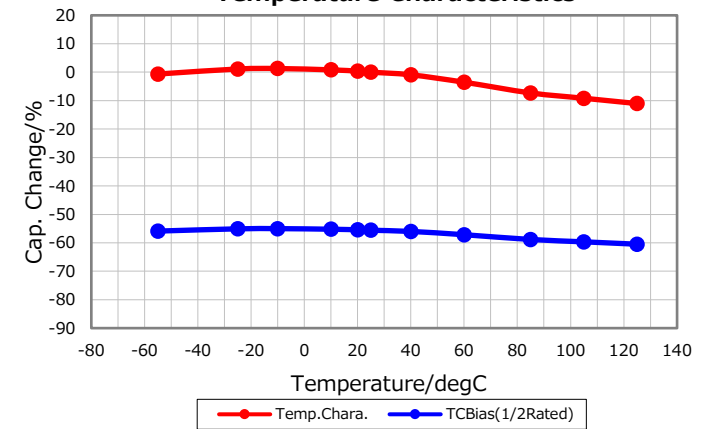
Cap. vs. Freq. Characteristic



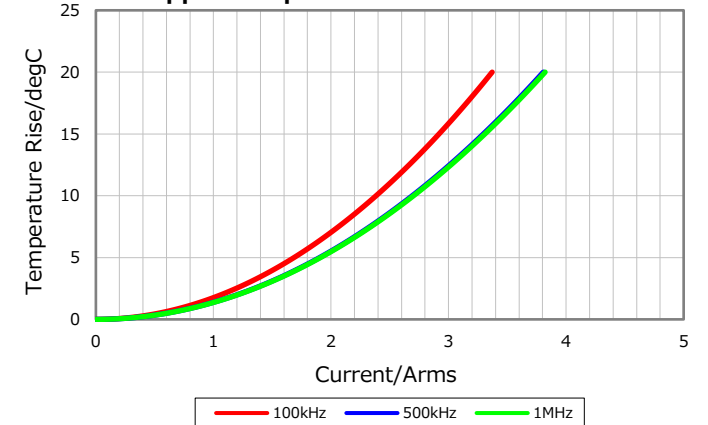
DC Bias Characteristic



Temperature Characteristics



Ripple Temperature Rise Characteristics



Characterization Sheet (Multilayer Ceramic Chip Capacitors)



All specifications are subject to change without notice.

January 31, 2020