

CGA6P3X7S1H685M250AB

TDK item description : CGA6P3X7S1H685MT****



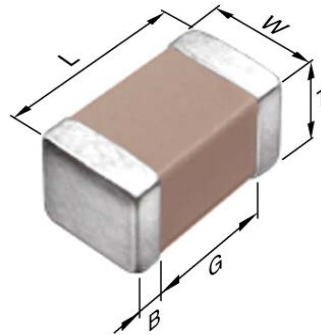
Equivalent C3225X7S1H685M for Automotive

Application & Main Feature

Automotive grade (General type)

Series

CGA6(3225) [EIA 1210]



Dimensions

L 3.20±0.40 mm
 W 2.50±0.30 mm
 T 2.50±0.30 mm
 B 0.20 mm min.
 G ---

Temperature Characteristic

X7S (-55 to +125 degC, ±22%)

Rated Voltage

1H (50Vdc)

Capacitance

6.8µF

Capacitance Tolerance

M (±20%)

Dissipation Factor

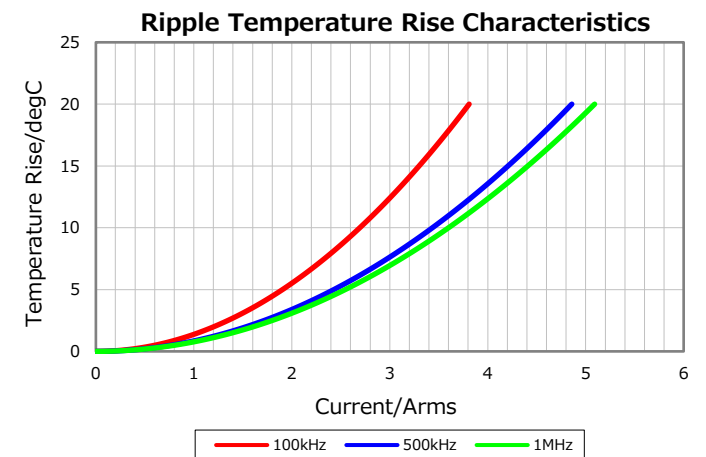
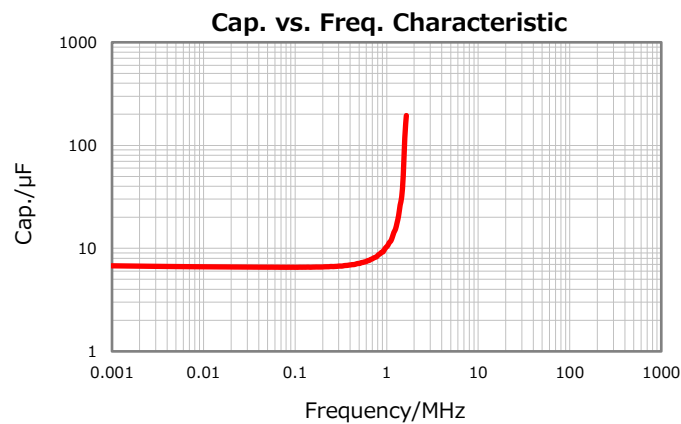
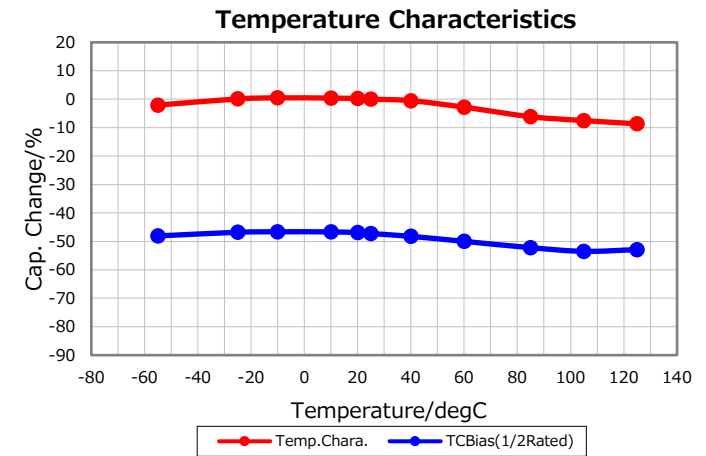
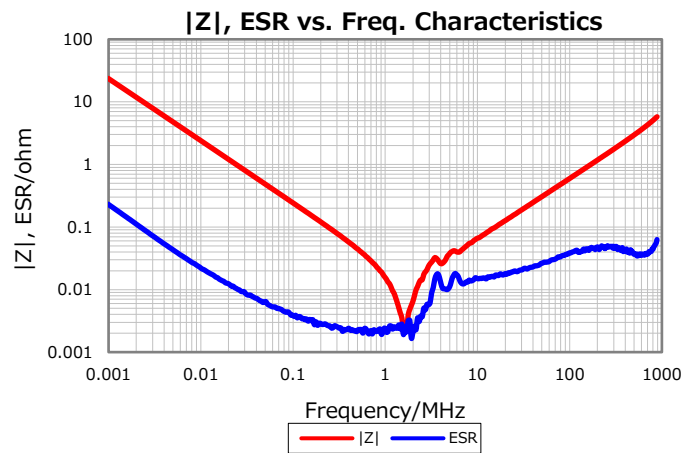
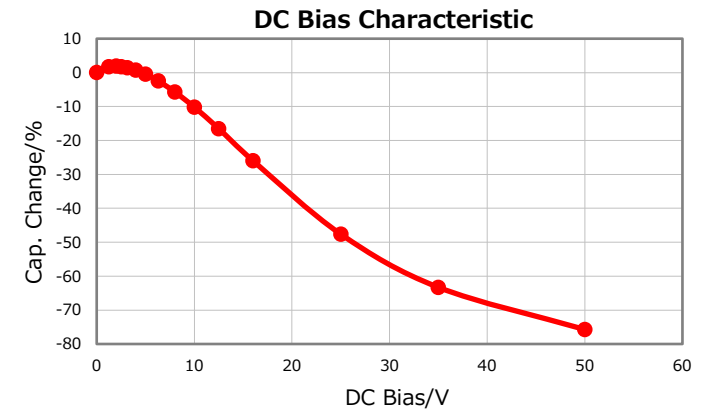
5 % max.

Insulation Resistance

73 Mohm min.

AEC-Q200

Yes



Characterization Sheet (Multilayer Ceramic Chip Capacitors)



All specifications are subject to change without notice.

January 25, 2020