

CGA9N1X7R1V476M230KC

TDK item description : CGA9N1X7R1V476MT****



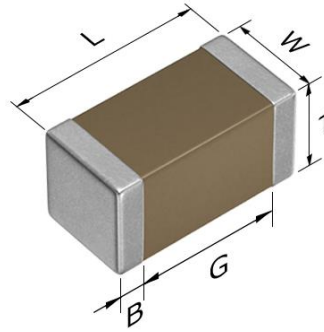
Equivalent C5750X7R1V476M for Automotive

Application & Main Feature

Automotive grade (General type)

Series

CGA9(5750) [EIA 2220]



Dimensions

L	5.70±0.40 mm
W	5.00±0.40 mm
T	2.30±0.20 mm
B	0.20 mm min.
G	---

Temperature Characteristic

X7R (-55 to +125 degC, ±15%)

Rated Voltage

1V (35Vdc)

Capacitance

47µF

Capacitance Tolerance

M (±20%)

DF

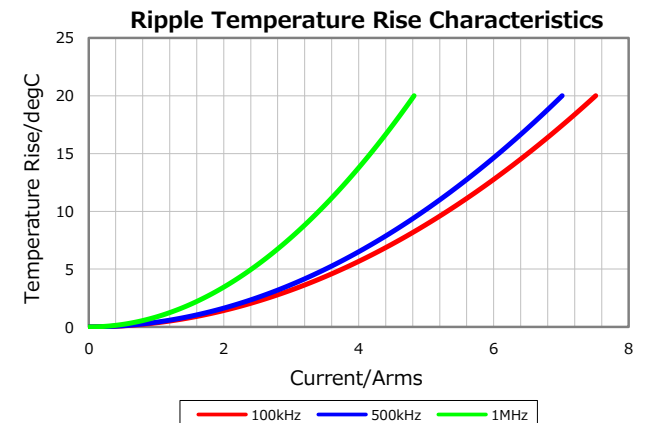
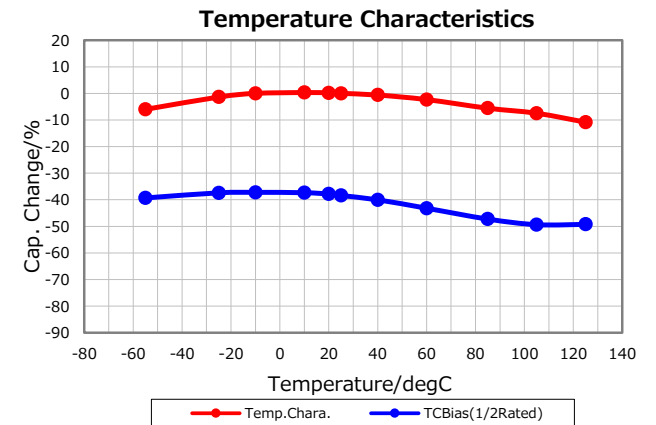
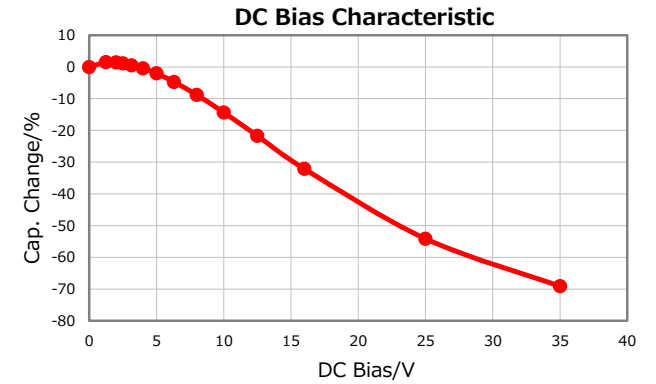
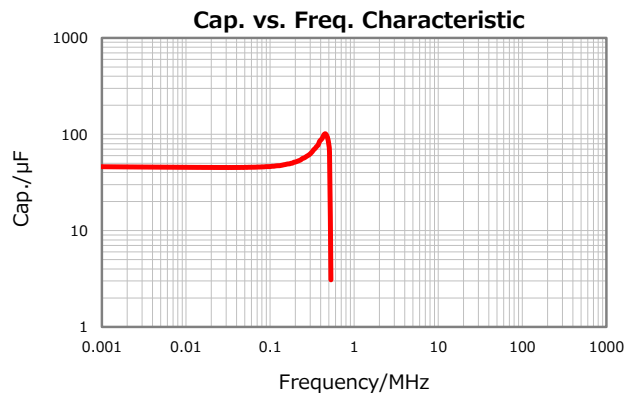
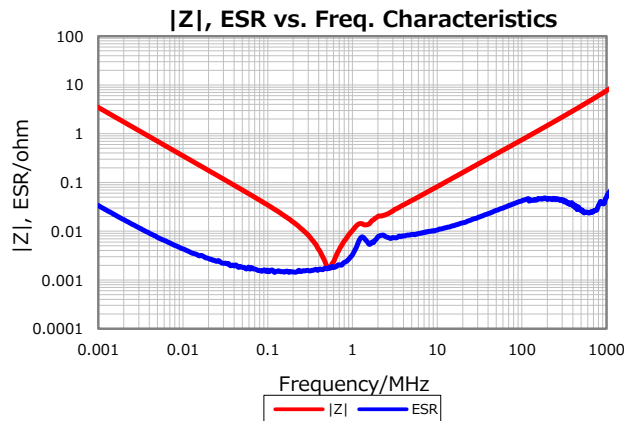
5 % max.

Insulation Resistance

10 Mohm min.

AEC-Q200

Yes



Characterization Sheet (Multilayer Ceramic Chip Capacitors)



All specifications are subject to change without notice.

October 8, 2021