

CGA9Q1C0G3A223J280KC

TDK Item Description : CGA9Q1C0G3A223JT****



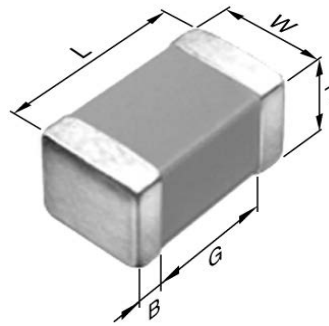
Equivalent C5750C0G3A223J for Automotive

Application & Main Feature

Automotive Grade (High Voltage (1000V and over))

Series

CGA9(5750) [EIA 2220]



Dimensions

L	5.70mm ±0.40mm
W	5.00mm ±0.40mm
T	2.80mm ±0.30mm
B	0.20mm Min.
G	

Temperature Characteristic

C0G (-55 to 125 degC 0+/-30ppm/degC)

Rated Voltage

3A(1000Vdc)

Capacitance

22nF

Capacitance Tolerance

J (±5%)

Q Factor

1000 Min.

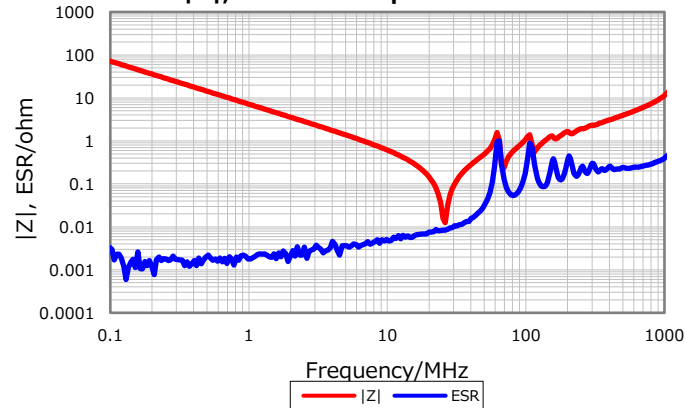
Insulation Resistance

10Gohm Min

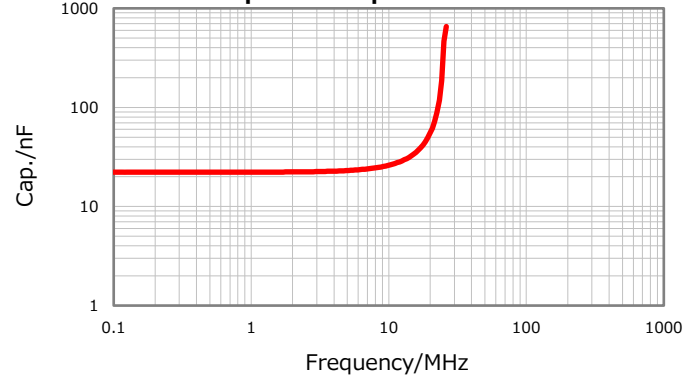
AEC-Q200

Yes

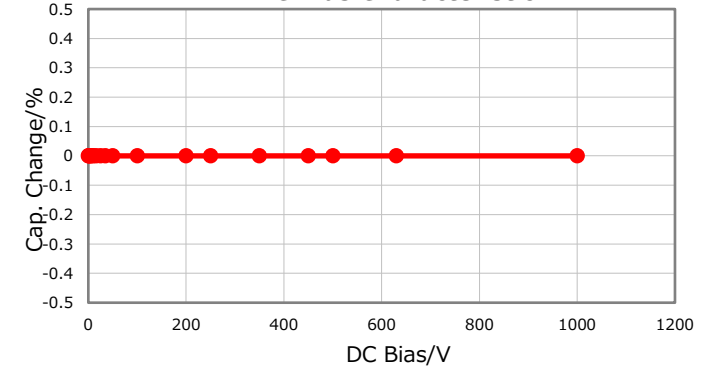
|Z|, ESR vs. Freq. Characteristics



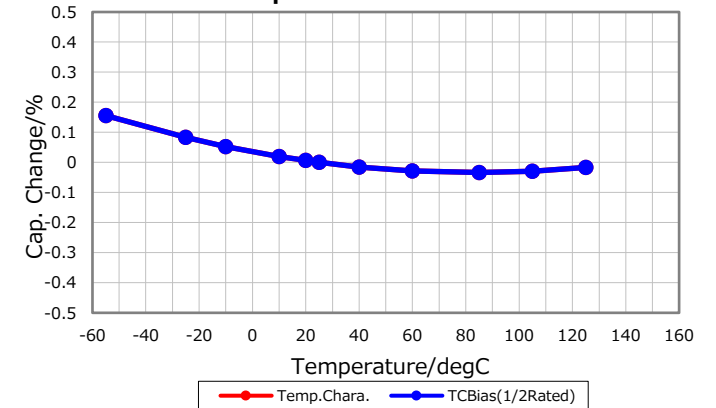
Cap. vs. Freq. Characteristic



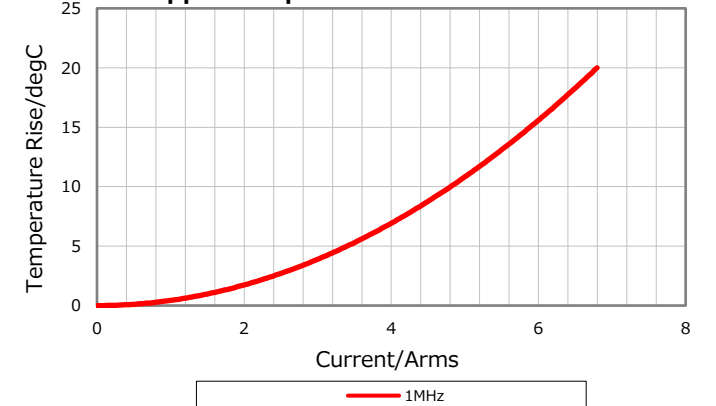
DC Bias Characteristic



Temperature Characteristics



Ripple Temperature Rise Characteristics



Characterization Sheet (Multilayer Ceramic Chip Capacitors)



All specifications are subject to change without notice.

May 22, 2019