

CGADN3X7R1E476M230LE

TDK Item Description : CGADN3X7R1E476MT***S



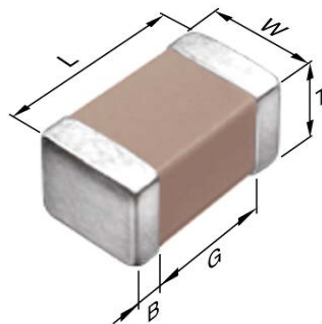
Equivalent C7563X7R1E476M for Automotive

Application & Main Feature

Automotivel Grade (Soft Termination)

Series

CGAD(7563) [EIA 3025]



Dimensions

L	7.50mm +/-0.5mm
W	6.30mm +/-0.5mm
T	2.50mm Max.
B	0.30mm Min.
G	

Temperature Characteristic

X7R (-55 to 125 degC +/-15%)

Rated Voltage

1E (25Vdc)

Capacitance

47uF

Capacitance Tolerance

M (+/-20%)

Dissipation Factor

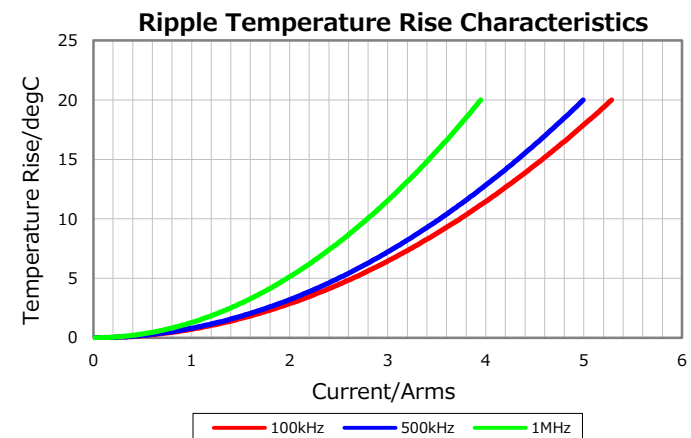
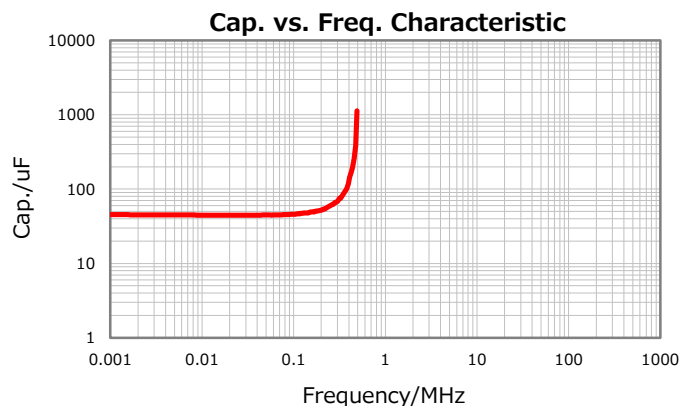
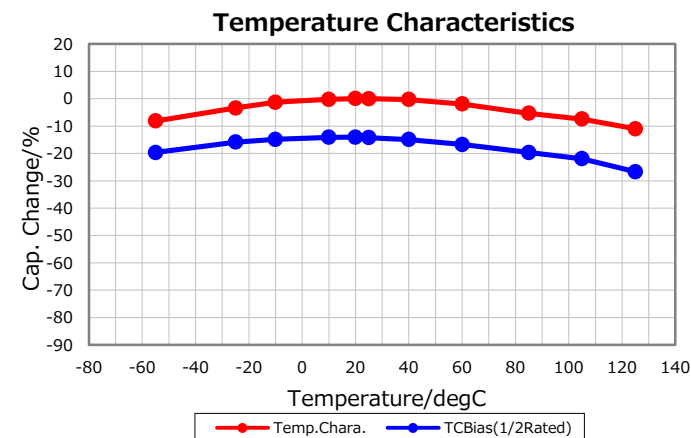
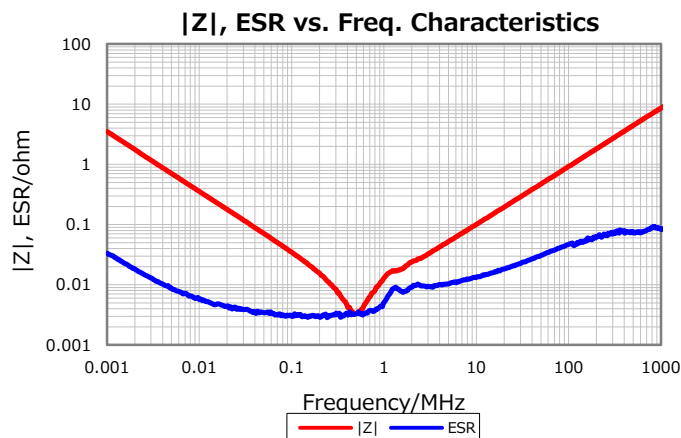
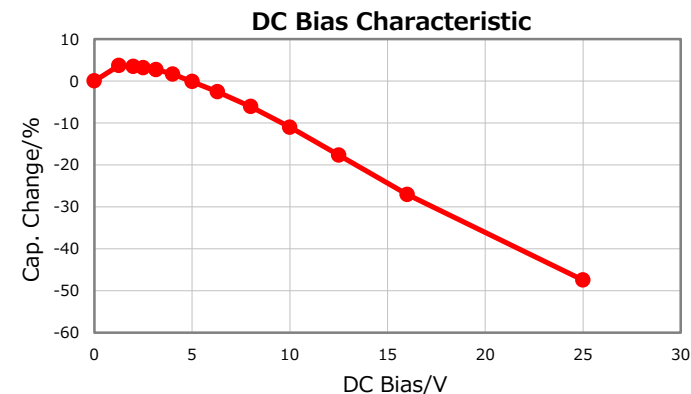
5% Max.

Insulation Resistance

10Mohm Min.

AEC-Q200

Yes



Characterization Sheet (Multilayer Ceramic Chip Capacitors)



All specifications are subject to change without notice.