

CGB2A1X5R1E105M033BC

TDK Item Description : CGB2A1X5R1E105MT****

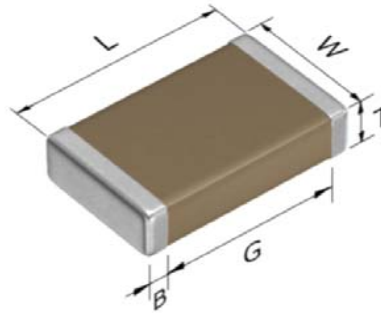


Application & Main Feature

Commercial Grade (Low Profile)

Series

CGB2(1005) [EIA 0402]



Dimensions

L	1.00mm +/-0.15mm
W	0.50mm +/-0.15mm
T	0.30mm +/-0.03mm
B	0.10mm Min.
G	0.30mm Min.

Temperature Characteristic

X5R (-55 to 85 degC +/-15%)

Rated Voltage

1E (25Vdc)

Capacitance

1uF

Capacitance Tolerance

M (+/-20%)

Dissipation Factor

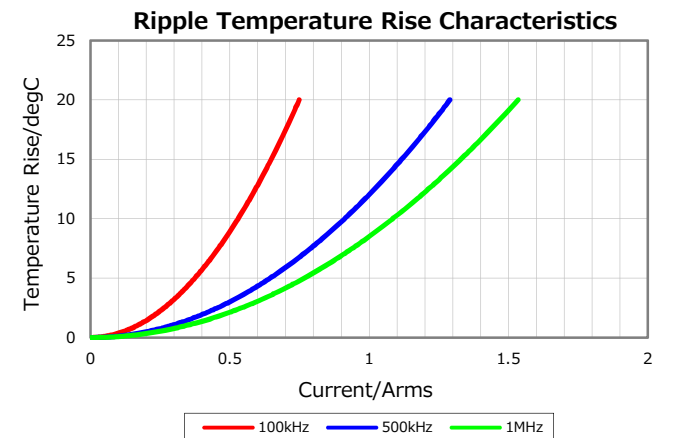
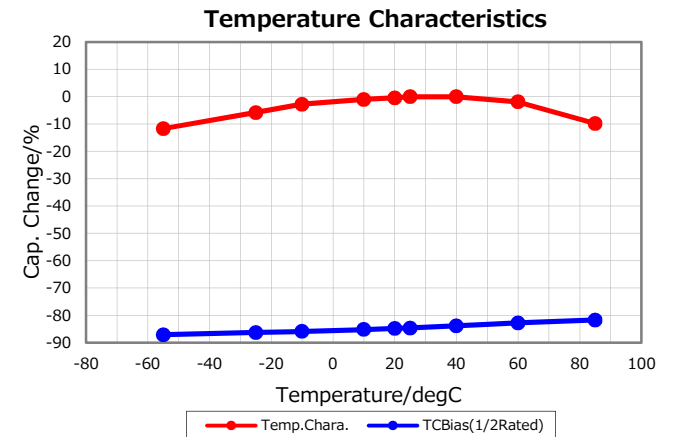
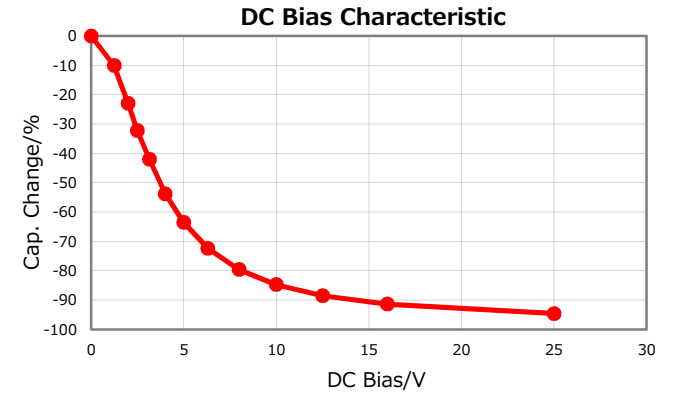
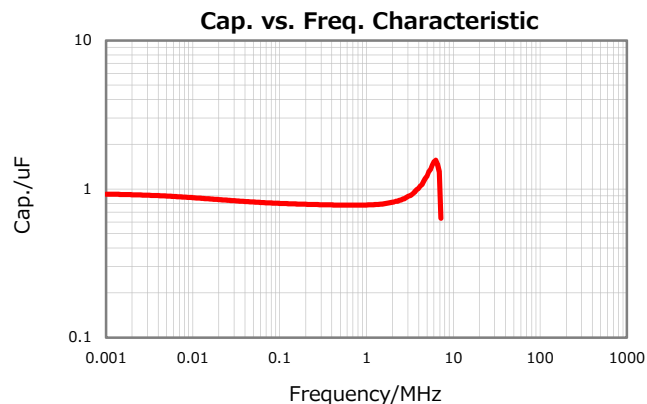
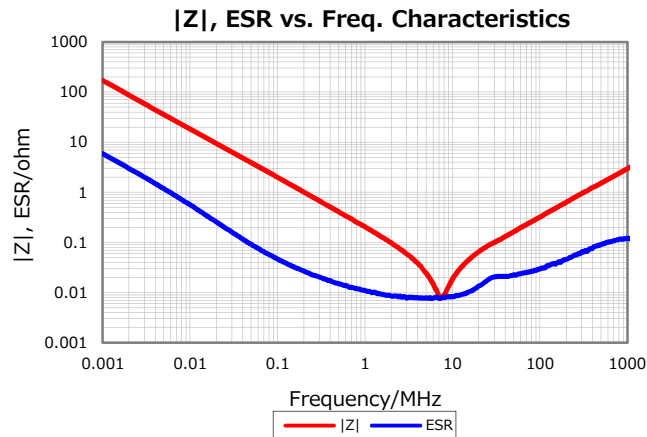
10% Max.

Insulation Resistance

100Mohm Min.

AEC-Q200

Not Applicable



Characterization Sheet (Multilayer Ceramic Chip Capacitors)



All specifications are subject to change without notice.

November 26, 2018