

# CKG45NX7R1E106M500JH

TDK item description : CKG45NX7R1E106MT\*\*\*

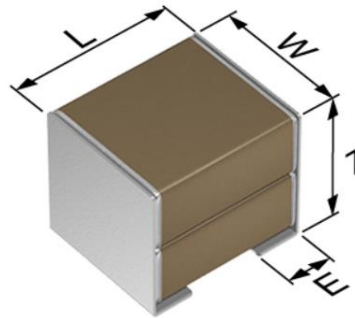


## Application & Main Feature

Commercial grade (MEGACAP)

## Series

CKG45N(4532) [EIA 1812]



## Dimensions

L 5.00±0.50 mm  
W 3.50±0.50 mm  
T 5.00±0.50 mm  
E 1.10±0.30 mm

## Temperature Characteristic

X7R (-55 to +125 degC, ±15%)

## Rated Voltage

1E (25Vdc)

## Capacitance

10µF

## Capacitance Tolerance

M (±20%)

## DF

3 % max.

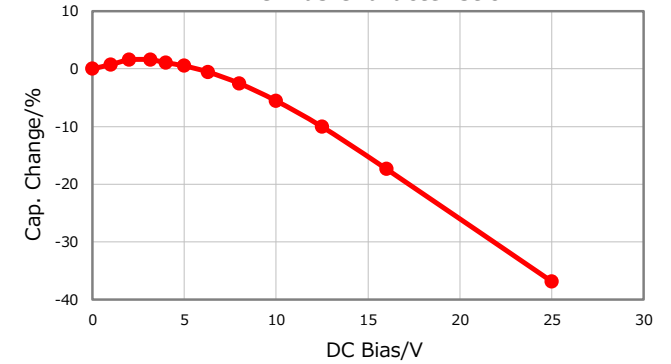
## Insulation Resistance

50 Mohm min.

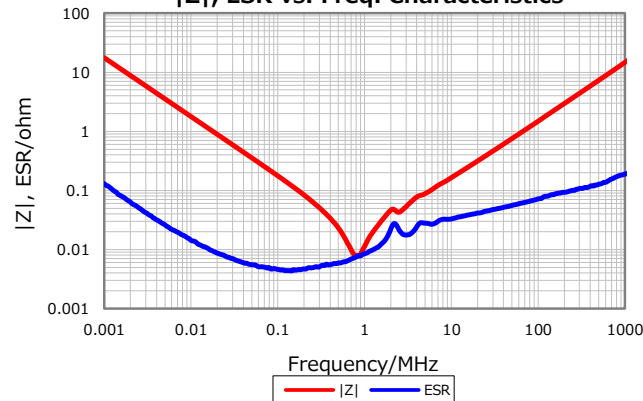
## AEC-Q200

Not Applicable

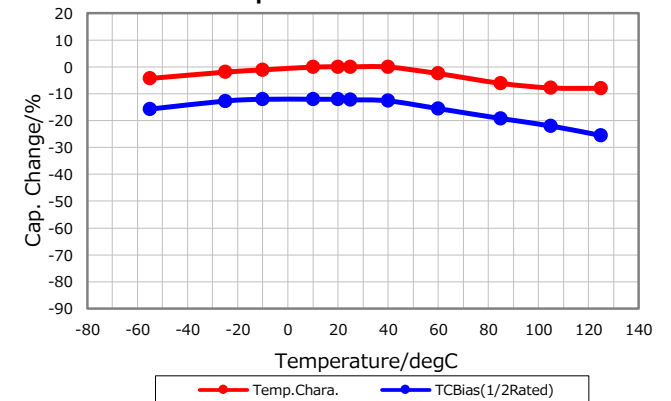
## DC Bias Characteristic



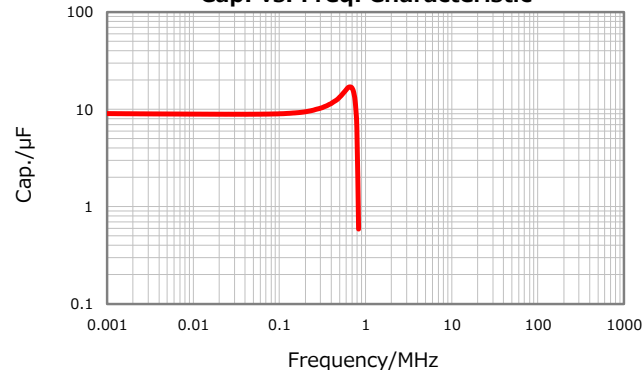
## |Z|, ESR vs. Freq. Characteristics



## Temperature Characteristics



## Cap. vs. Freq. Characteristic



## Ripple Temperature Rise Characteristics

