

CKG45NX7S1C476M500JJ

TDK item description : CKG45NX7S1C476MT***

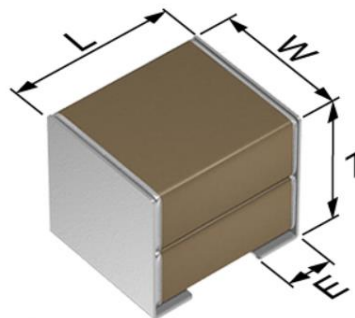


Application & Main Feature

Automotive grade (MEGACAP)

Series

CKG45N(4532) [EIA 1812]



Dimensions

L 5.00±0.50 mm
W 3.50±0.50 mm
T 5.00±0.50 mm
E 1.10±0.30 mm

Temperature Characteristic

X7S (-55 to +125 degC, ±22%)

Rated Voltage

1C (16Vdc)

Capacitance

47µF

Capacitance Tolerance

M (±20%)

DF

7.5 % max.

Insulation Resistance

2 Mohm min.

AEC-Q200

Yes

