

CKG45NX7T2E225M500JJ

TDK item description : CKG45NX7T2E225MT***

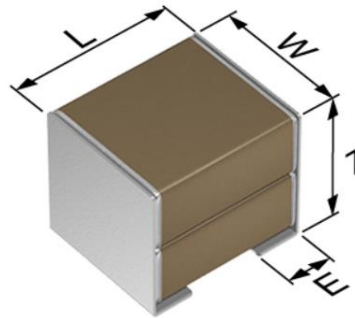


Application & Main Feature

Automotive grade (MEGACAP)

Series

CKG45N(4532) [EIA 1812]



Dimensions

L 5.00±0.50 mm
W 3.50±0.50 mm
T 5.00±0.50 mm
E 1.10±0.30 mm

Temperature Characteristic

X7T (-55 to +125 degC, +22/-33%)

Rated Voltage

2E (250Vdc)

Capacitance

2.2µF

Capacitance Tolerance

M (±20%)

DF

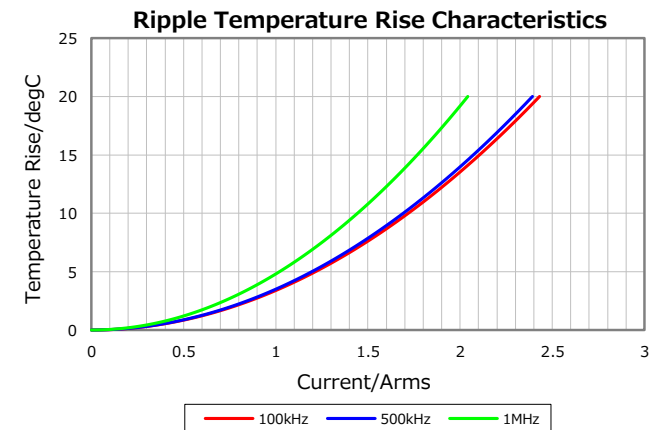
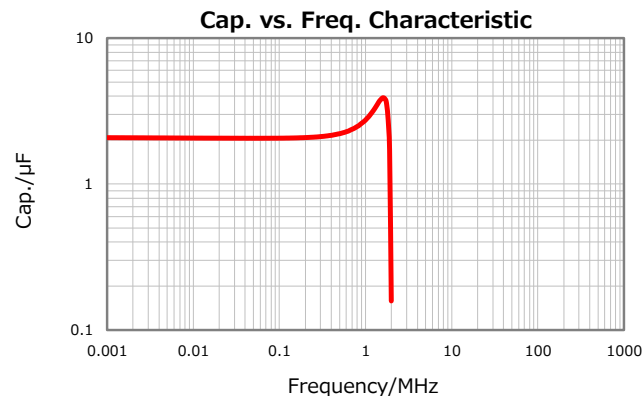
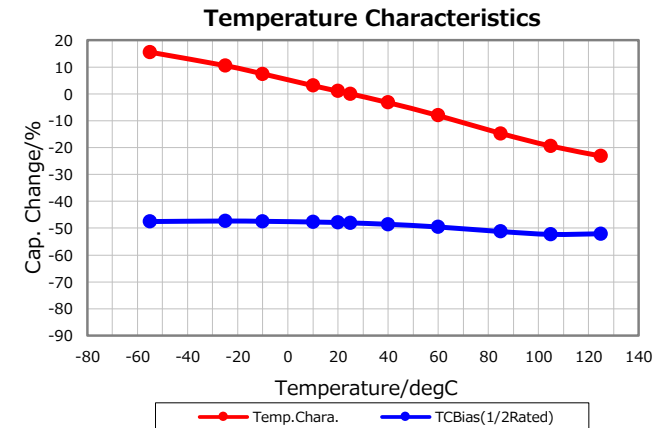
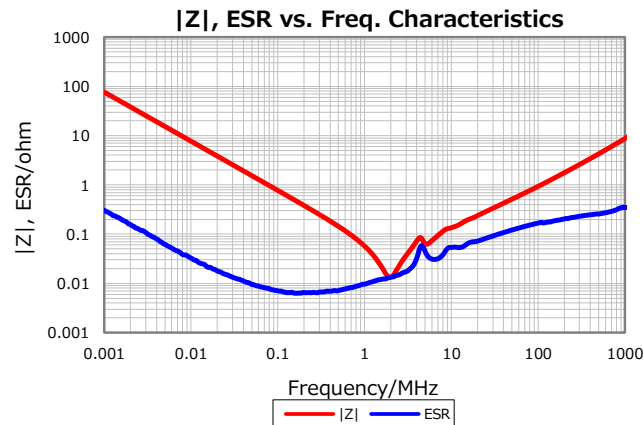
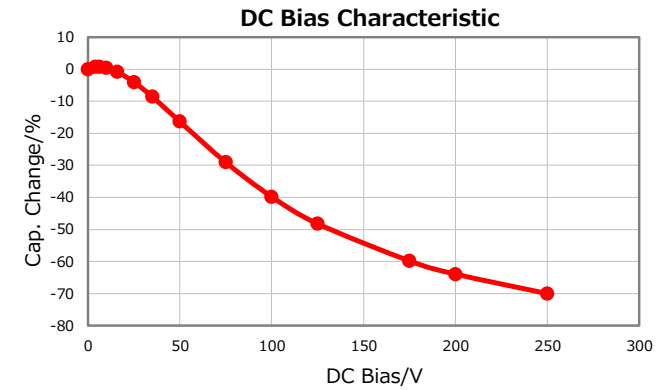
2.5 % max.

Insulation Resistance

227 Mohm min.

AEC-Q200

Yes



Characterization Sheet (Multilayer Ceramic Chip Capacitors)



⚠ All specifications are subject to change without notice.

April 10, 2022