

CKG57NX7R1E107M500JH

TDK item description : CKG57NX7R1E107MT****

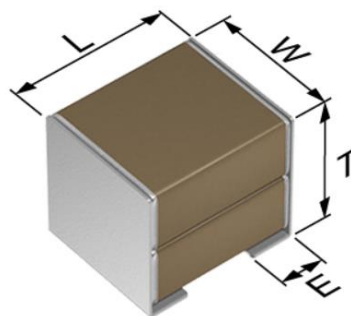


Application & Main Feature

Commercial grade (MEGACAP)

Series

CKG57N(5750) [EIA 2220]



Dimensions

L	6.00±0.50 mm
W	5.00±0.50 mm
T	5.00±0.50 mm
E	1.60±0.30 mm

Temperature Characteristic

X7R (-55 to +125 degC, ±15%)

Rated Voltage

1E (25Vdc)

Capacitance

100µF

Capacitance Tolerance

M (±20%)

DF

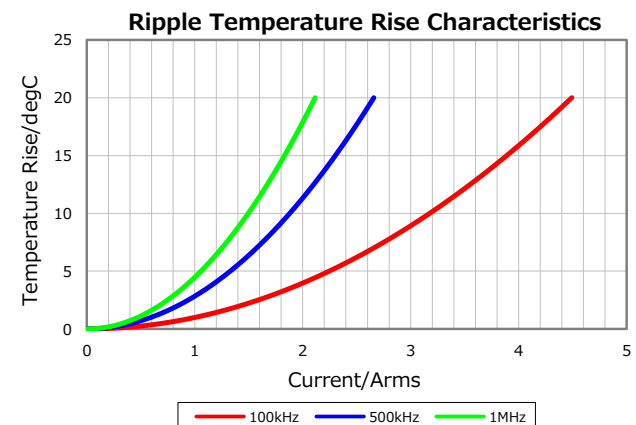
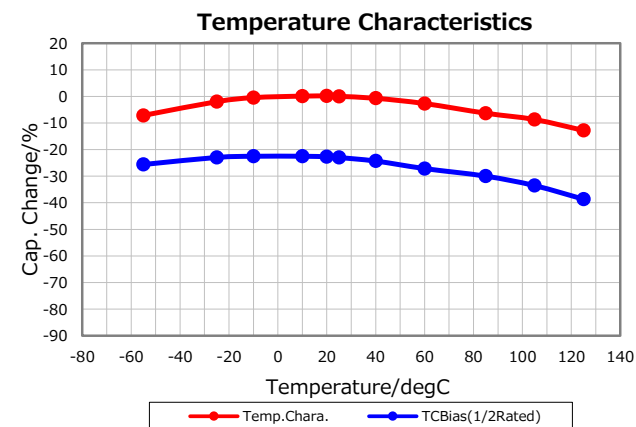
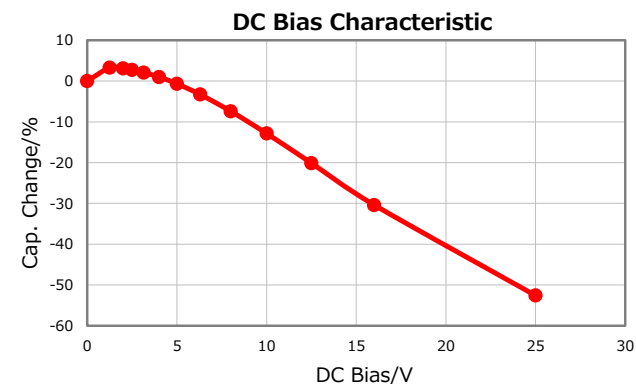
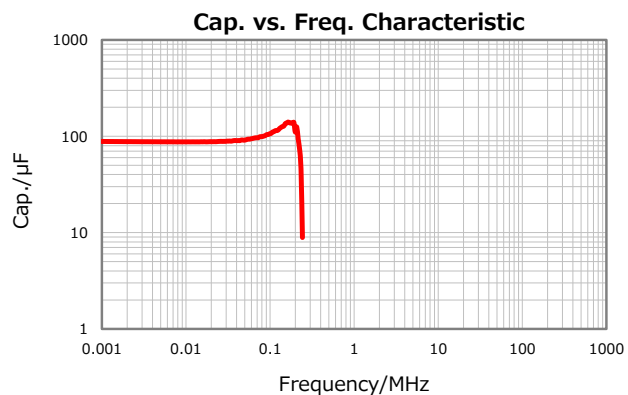
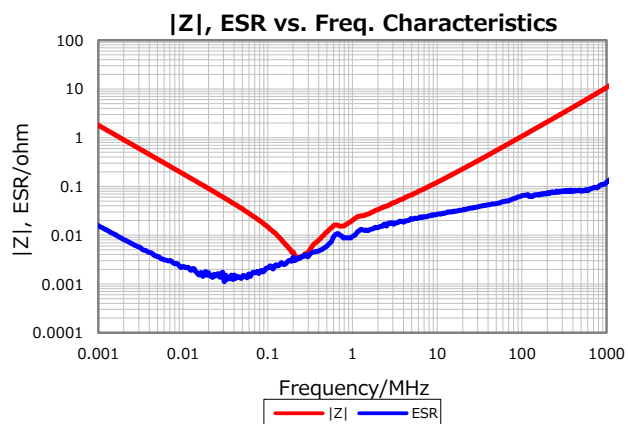
5 % max.

Insulation Resistance

5 Mohm min.

AEC-Q200

Not Applicable



Characterization Sheet (Multilayer Ceramic Chip Capacitors)



All specifications are subject to change without notice.

October 8, 2021