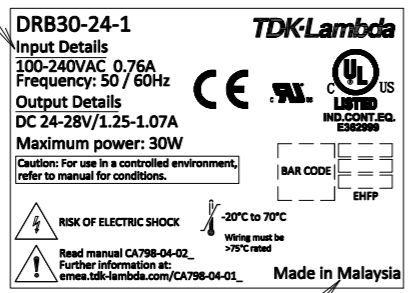
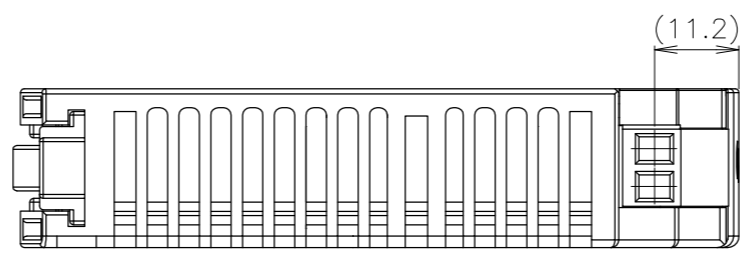


SEE NOTE A

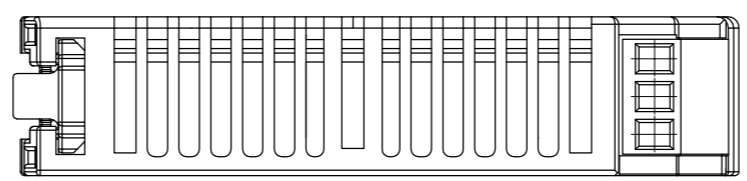
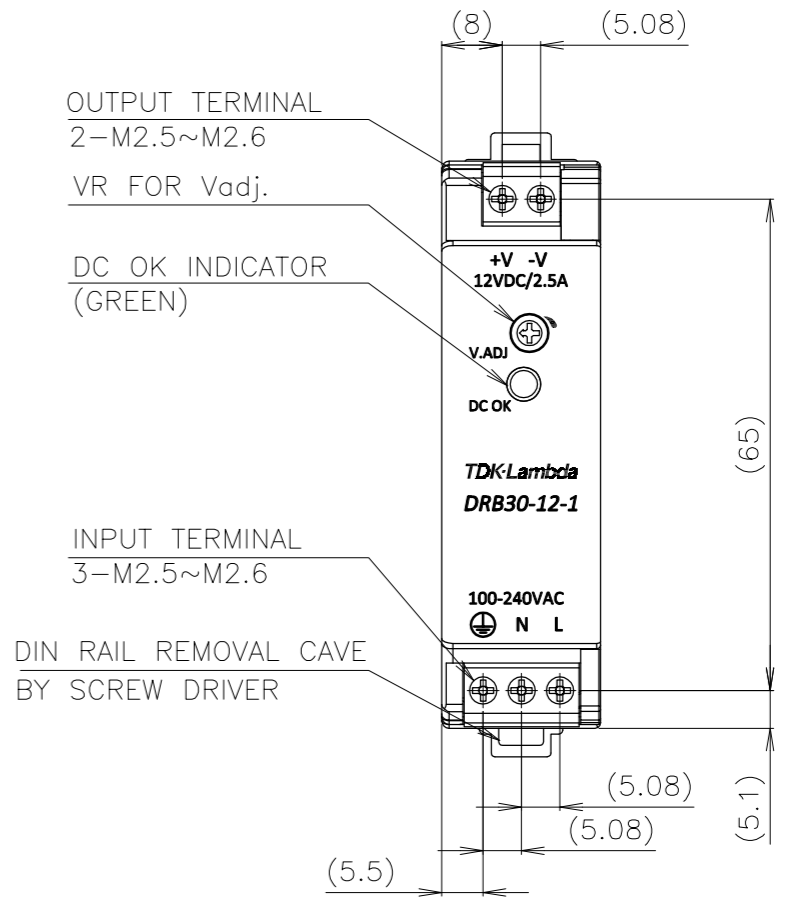
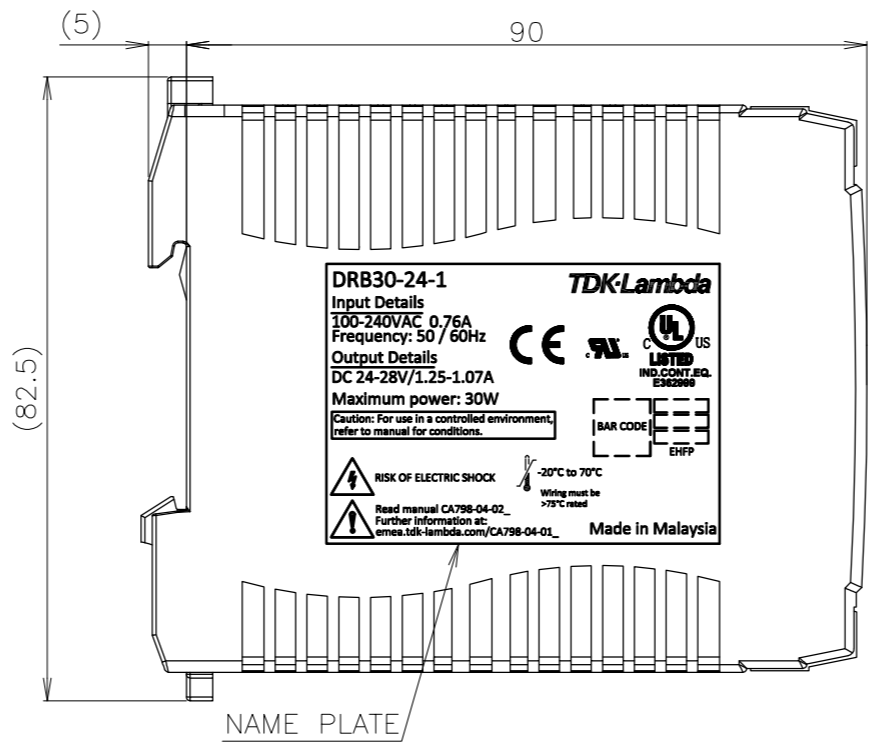
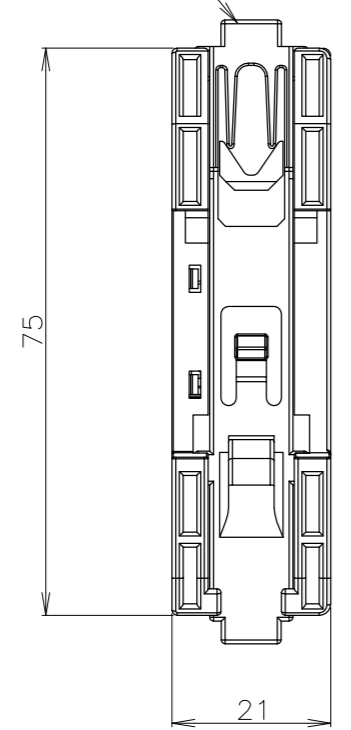
NAME PLATE



SEE NOTE B



DIN RAIL REMOVAL BUTTON  
BY PUSHING



NOTES

- A: MODEL NAME, MAXIMUM OUTPUT POWER, NOMINAL OUTPUT VOLTAGE, MAXIMUM OUTPUT CURRENT, ARE SHOWN HERE IN ACCORDANCE WITH THE SPECIFICATIONS.
- B: COUNTRY OF MANUFACTURE WILL BE SHOWN HERE.
- C: RECOMMENDED SCREW TORQUE(M2.5~M2.6 SCREW): 0.51N·m (4.5Lb·inch).
- D: RECOMMENDED WIRE: AWG12~24 (0.2~3.3mm<sup>2</sup>), WIRE STRIP LENGTH: 4~5mm, 5mm Max.

(unit : mm)

MODEL NAME	DRB30-1
<b>TDK-Lambda</b>	
CA799-02-01B	