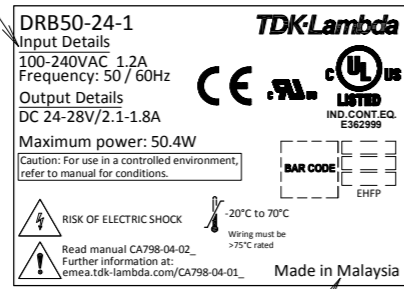
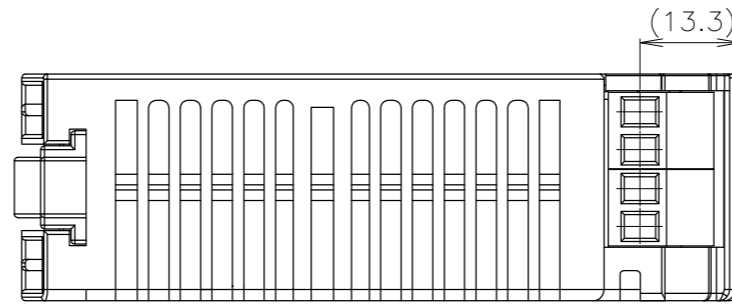


SEE NOTE A

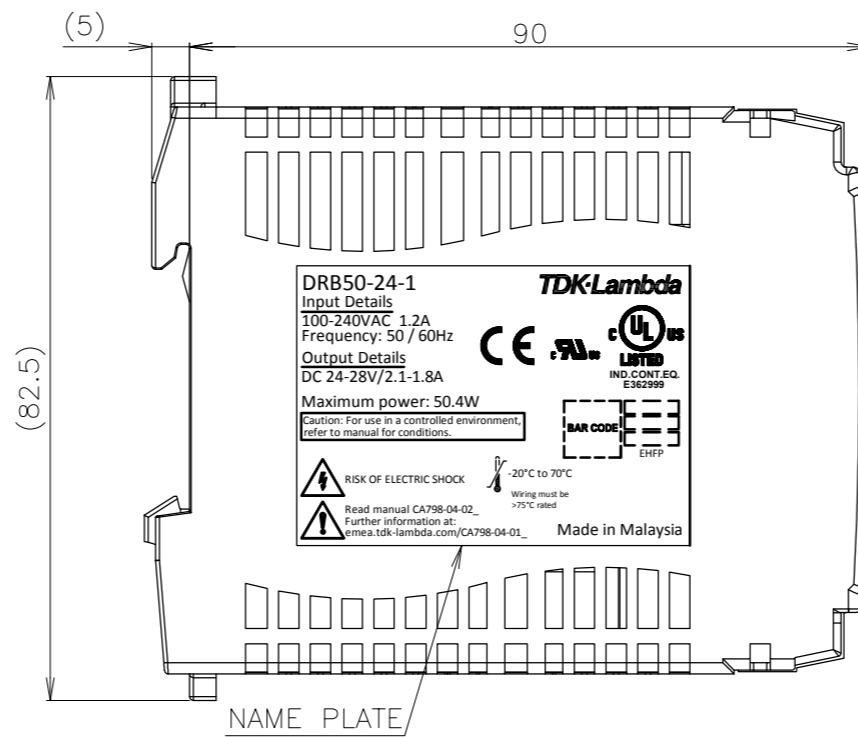
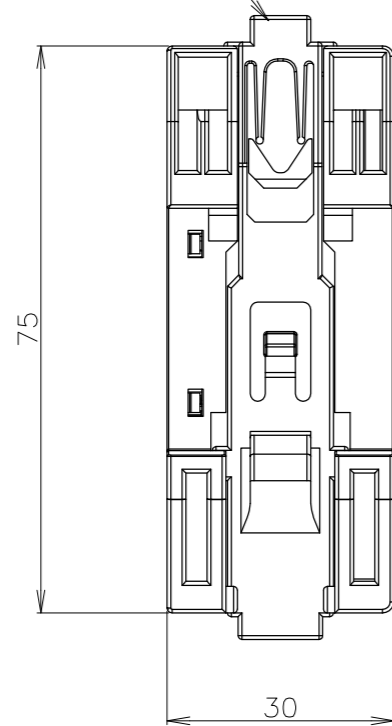
NAME PLATE



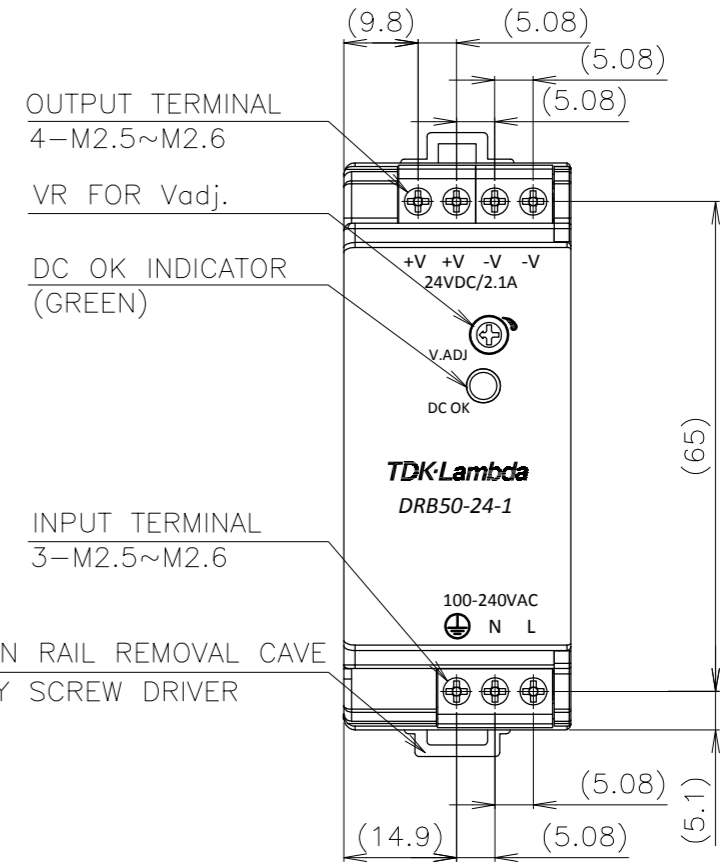
SEE NOTE B



DIN RAIL REMOVAL BUTTON
BY PUSHING



NAME PLATE



NOTES

- A: MODEL NAME, MAXIMUM OUTPUT POWER, NOMINAL OUTPUT VOLTAGE, MAXIMUM OUTPUT CURRENT, ARE SHOWN HERE IN ACCORDANCE WITH THE SPECIFICATIONS.
- B: COUNTRY OF MANUFACTURE WILL BE SHOWN HERE.
- C: RECOMMENDED SCREW TORQUE(M2.5~M2.6 SCREW): 0.51N·m (4.5Lb·inch).
- D: RECOMMENDED WIRE: AWG12~24 (0.2~3.3mm²), WIRE STRIP LENGTH: 4~5mm, 5mm Max.

(unit : mm)

MODEL NAME	DRB50-1
TDK-Lambda	
CA800-02-01	