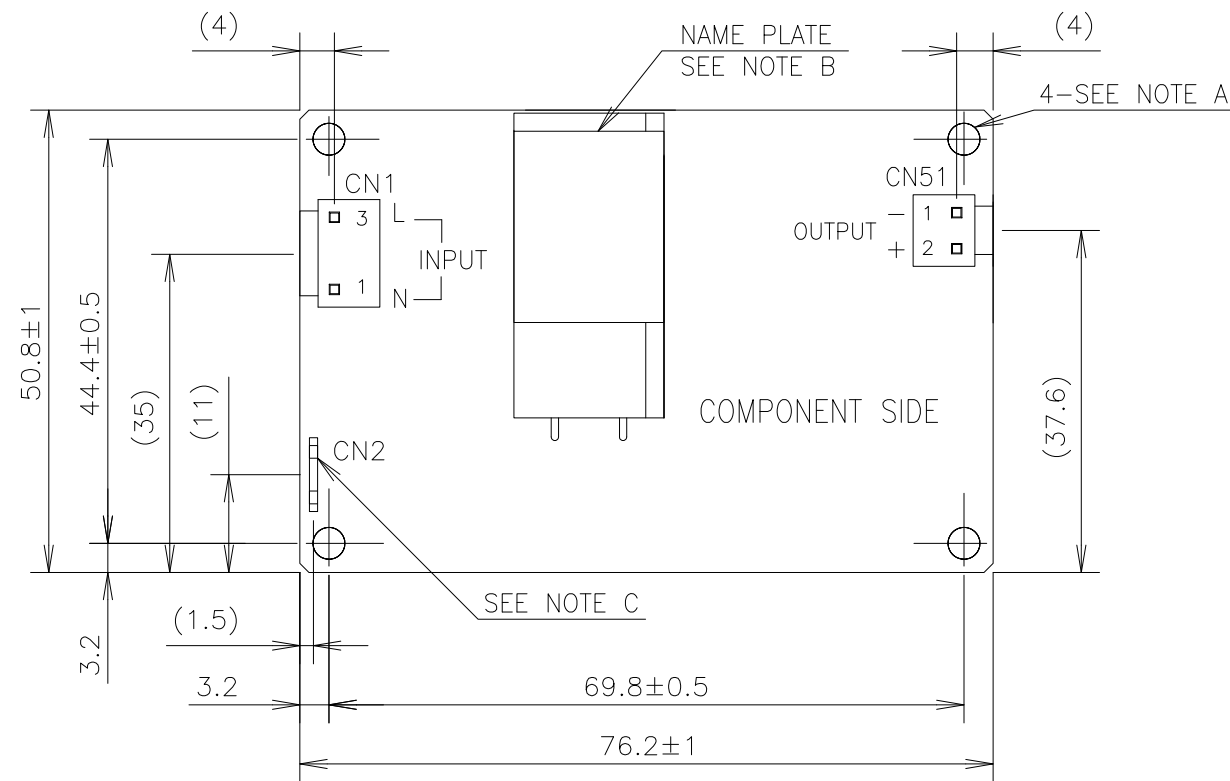
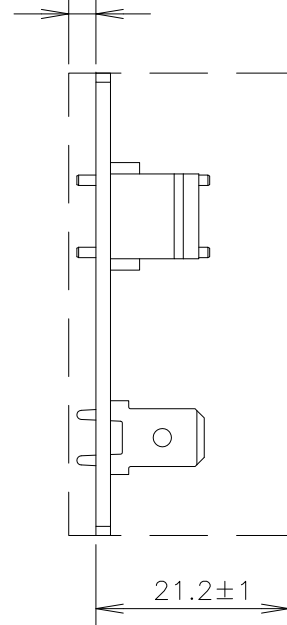


LEAD CUT
LESS THAN 3.0mm



CONNECTORS USED:

PART DESCRIPTION	PART NAME	MANUFACT.	QTY
PIN HEADER (INPUT SIDE CN1)	B2P3-VH	J.S.T.	1
PIN HEADER (OUTPUT SIDE CN51)	B2P-VH	J.S.T.	1

MATCHING HOUSINGS (NOT INCLUDED WITH THE PRODUCT):

PART DESCRIPTION	PART NAME	MANUFACT.	QTY
SOCKET HOUSING (CN1)	VAR-2/VHR-3N	J.S.T.	1
SOCKET HOUSING (CN51)	VHR-2N	J.S.T.	1
HOUSING(CN2)	22~18AWG: STO-21T-250N	J.S.T.	1
	18~14AWG: STO-61T-250N		

MATCHING PINS & TOOL (NOT INCLUDED WITH THE PRODUCT):

PART DESCRIPTION	PART NAME	MANUFACT.	QTY
TERMINAL PINS	SVH-21T-P1.1	J.S.T.	4
	BVH-21T-P1.1		
HAND CRIMPING TOOL	YC-160R	J.S.T.	-

PART DESCRIPTION	PART NAME	MANUFACT.	QTY
TERMINAL PINS	SVH-41T-P1.1	J.S.T.	4
	BVH-41T-P1.1		
HAND CRIMPING TOOL	YC-930R	J.S.T.	-
	YC-931R		

NOTES

- A: 4- ϕ 3.5 HOLES ARE FOR CUSTOMER'S CHASSIS MOUNTING HOLES. ALL MUST BE SCREWED IN ORDER TO CONFORM THE VIBRATION SPEC.
- B: MODEL NAME, INPUT VOLTAGE RANGE, NOMINAL OUTPUT VOLTAGE, MAXIMUM OUTPUT CURRENT, COUNTRY OF MANUFACTURE AND SAFETY MARKING (FOR ONLY APPROVED PRODUCTS) ARE SHOWN HERE IN ACCORDANCE WITH THE SPECIFICATIONS.
- C: CN2 IS FOR SAFETY GROUND (FG) CONNECTION IN CLASS I.
- D: TO KEEP THE DISTANCE MORE THAN 4mm BETWEEN PCB EDGE AND CUSTOMER'S CHASSIS.

(unit : mm)

MODEL NAME	ZWS30C
TDK-Lambda	

FA013-02-01A