

PFH500A-28-xxx-R

Evaluation Report

Contents

1. EVALUATION METHOD 3

1.1 Test / Measurement Circuits..... 3

 1.1.1 Steady State Test Measurement Circuit 3

 1.1.2 Dynamic, Protection and Output Ripple and Noise Measurement Circuit..... 3

 1.1.3 Inrush Current Measurement Circuit..... 4

 1.1.4 Leakage Current Measurement Circuit..... 4

 1.1.5 Electro-Magnetic Interference Test Set-Up 4

 1.1.5.1 Conducted EMI..... 4

 1.1.5.2 Radiated EMI 5

2.1 Steady State Data (Refer to Section 1.1.1 For Test Setup)..... 7

 2.1.1 Regulation – Line, Load 7

 2.1.2 Efficiency vs. Output Current (400Hz)..... 8

 2.1.3 Power Factor (PF) vs. Output Current (400Hz) 9

 2.1.4 Output behavior with input line sweep (400Hz)..... 9

2.2 Over Current Protection (OCP) Characteristics (Refer to section 1.1.2 for Test Setup) (400Hz) 10

2.3 Over Voltage Protection (OVP) Characteristics (Refer to Section 1.1.2 for Test Setup) 11

2.4 Output Rise and Fall Characteristic with AC Turn On 12

2.5 Hold Up Time Characteristic 13

2.6 Dynamic Line Response (400Hz) 13

2.7 Dynamic Load Response..... 15

2.8 Input Current Waveform..... 16

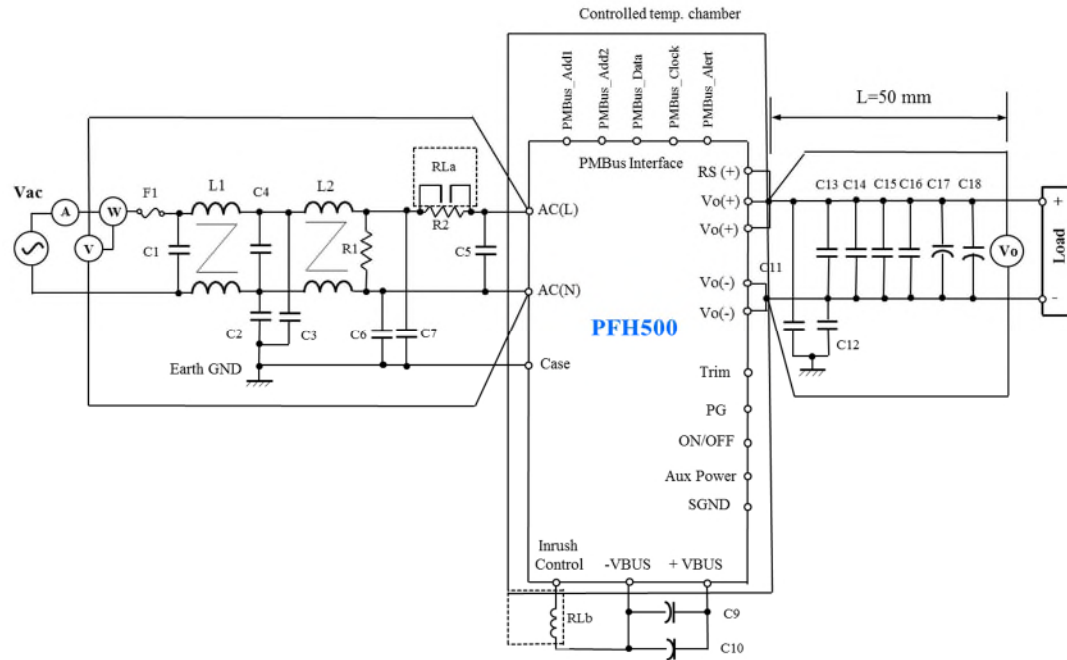
2.9 Input Current Harmonics..... 16

2.10 Output Ripple and Noise..... 17

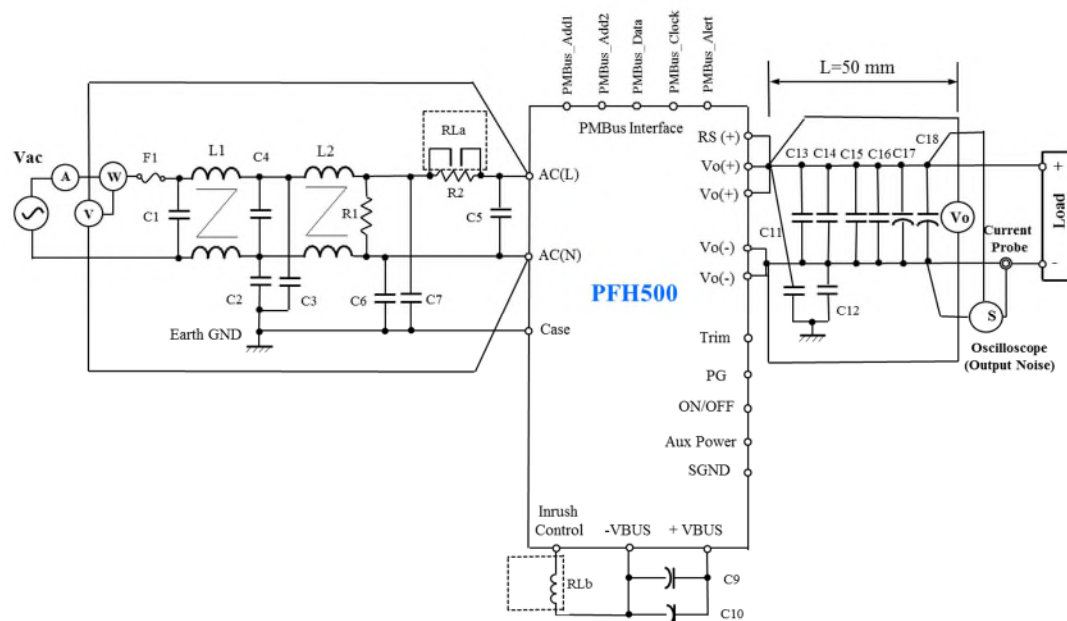
1. EVALUATION METHOD

1.1 Test / Measurement Circuits

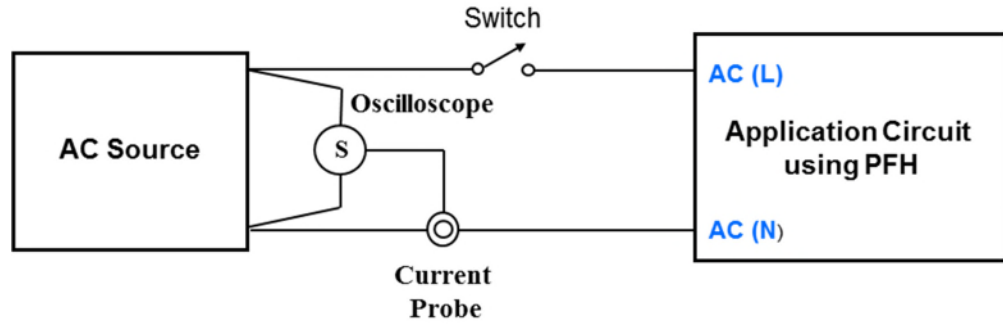
1.1.1 Steady State Test Measurement Circuit



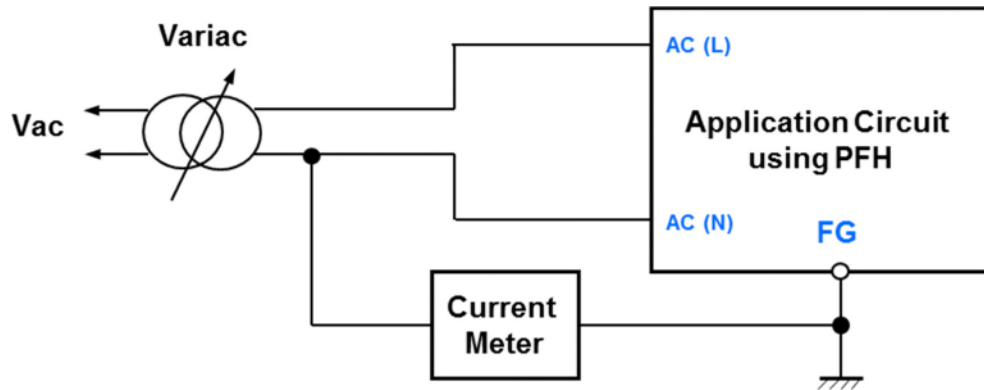
1.1.2 Dynamic, Protection and Output Ripple and Noise Measurement Circuit



1.1.3 Inrush Current Measurement Circuit

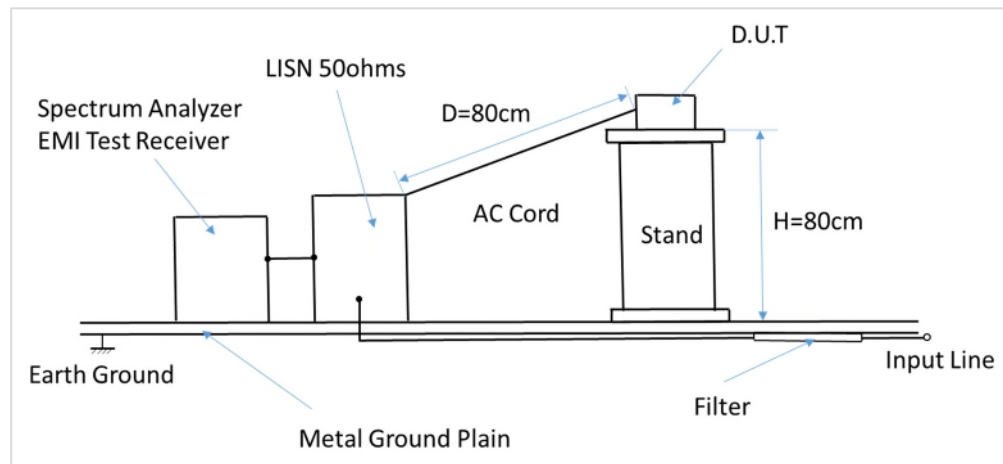


1.1.4 Leakage Current Measurement Circuit

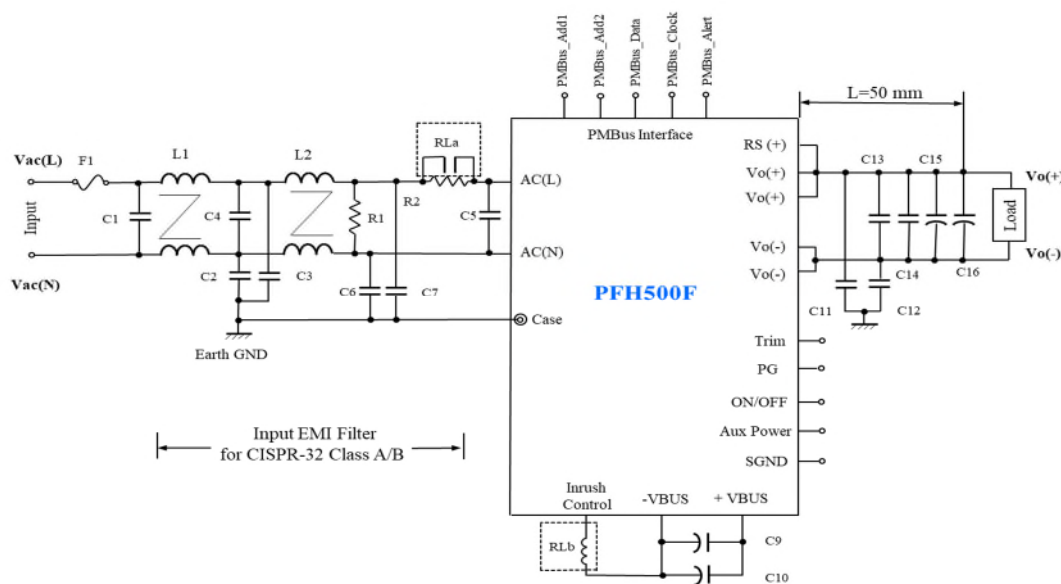
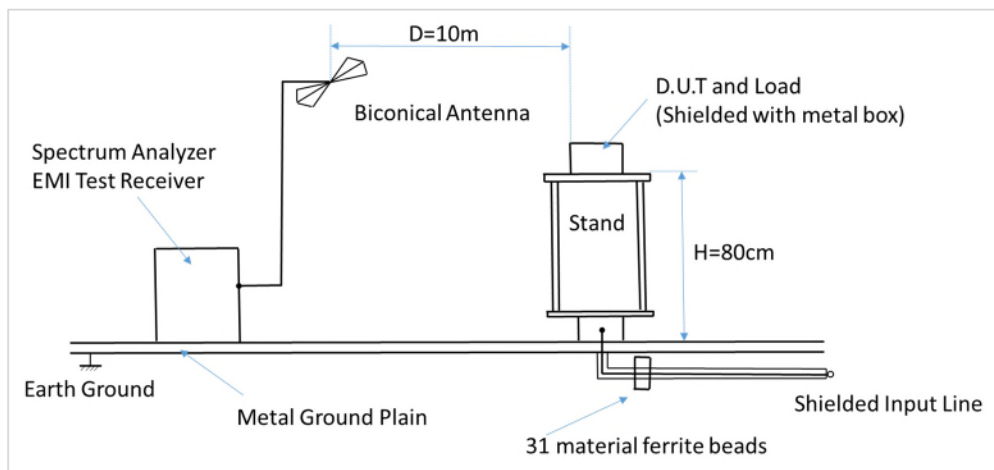


1.1.5 Electro-Magnetic Interference Test Set-Up

1.1.5.1 Conducted EMI



1.1.5.2 Radiated EMI



Circuit Code	Description	Circuit Code	Description
C1, C4	1 μ F Film Capacitor	C5	2.2 μ F Film Capacitor
C2, C3	3300pF Ceramic Capacitor	C6, C7	470pF Ceramic Capacitor
L1, L2	6.3mH	R2	22 Ohms
R1	470kOhms	C13	0.1 μ F Ceramic Capacitor
C15, C16 ⁽¹⁾	470 μ F Electrolytic Capacitor	C14	40uF Ceramic Capacitor
C11, C12	470pF Ceramic Capacitor	C9, C10	470 μ F Electrolytic Capacitor
RLa,RLb	1 Form A relay with 10A, 277VAC, power rating: 12VDC, 16.7mA, 200mW, High Sensitivity	F1	10A, 250V, Fast Blow

(1): Higher Capacitance Value (~2X total cap value recommended) for $T_a \leq -20\text{ }^\circ\text{C}$ operation.

List of Equipment

	EQUIPMENT USED	MANUFACTURER	MODEL NO.
1	OSCILLOSCOPE	LECROY	WaveSurfer 454
2	OSCILLOSCOPE	LECROY	WaveRunner 6050
3	DIGITAL MULTIMETER	KEITHLEY	2110
4	DIGITAL MULTIMETER	KEITHLEY	2110
5	DIFFERENTIAL AMPLIFIER	LECROY	DA1855A
6	DIFFERENTIAL AMPLIFIER	LECROY	DA1855A
7	SHUNT RESISTER	EMPRO SHUNT	HA20-100
8	TEMP CHAMBER	TENNEY JUNIOR ENVIRONMENTAL	TJR
9	DIFFERENTIAL PROBE	LECROY	A101
10	DIFFERENTIAL PROBE	LECROY	DXG100A
11	DIGITAL POWER METER	YOKOGAWA	WT310
12	SURGE TESTER	THERMO SCIENTIFIC	EMCPRO PLUS
13	DC ELECTRONIC LOAD	CHROMA	63201
14	FREQUENCY ANALYZER	AP INSTRUMENT	300
15	AC POWER SOURCE	CHROMA	6530
16	INJECTION ISOLATOR	RIDLEY ENGINEERING	0.1Hz TO 30MHz
17	WAVEFORM GENERATOR	AGILENT	33120A
18	DC ELECTRONIC LOAD	CHROMA	6334
19	AC CONTROL	SORENSEN	DCS150-20
20	THERMOSTREAM	TEMPTRONIC CORPORATION	ATS-810-M-4
21	CURRENT PROBE	LECROY	AP015
22	CURRENT PROBE	LECROY	CP150

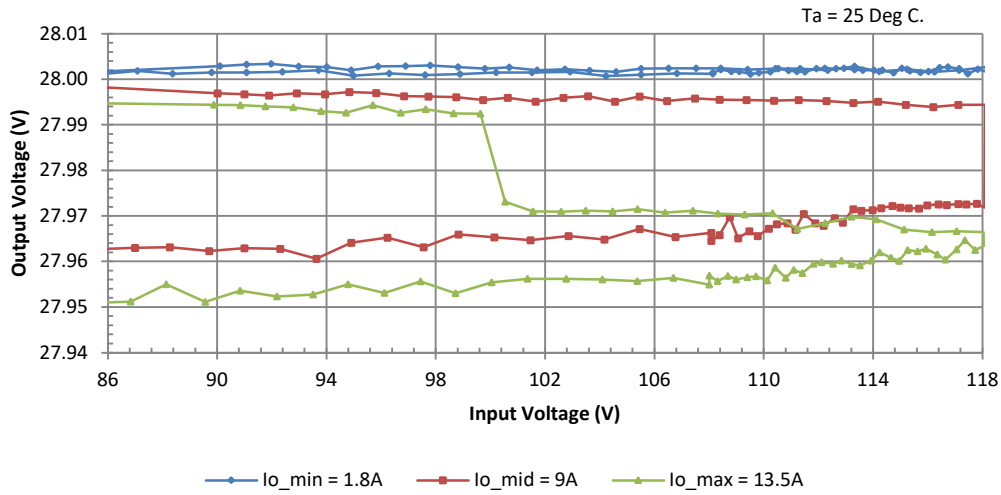
CHARACTERISTIC

2.1 Steady State Data (Refer to Section 1.1.1 For Test Setup)

2.1.1 Regulation – Line, Load

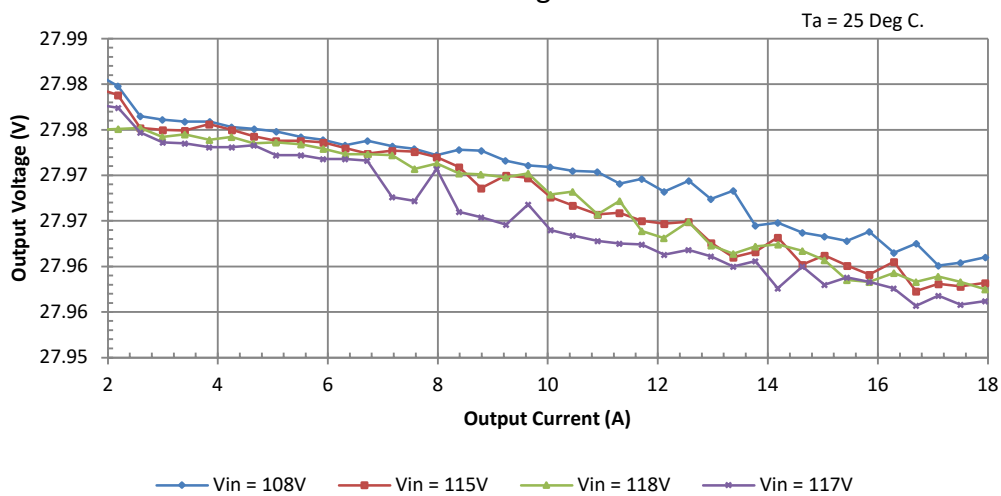
a. Line Regulation (400Hz)

PFH500A-28-100 Line Regulation Vout = 28V

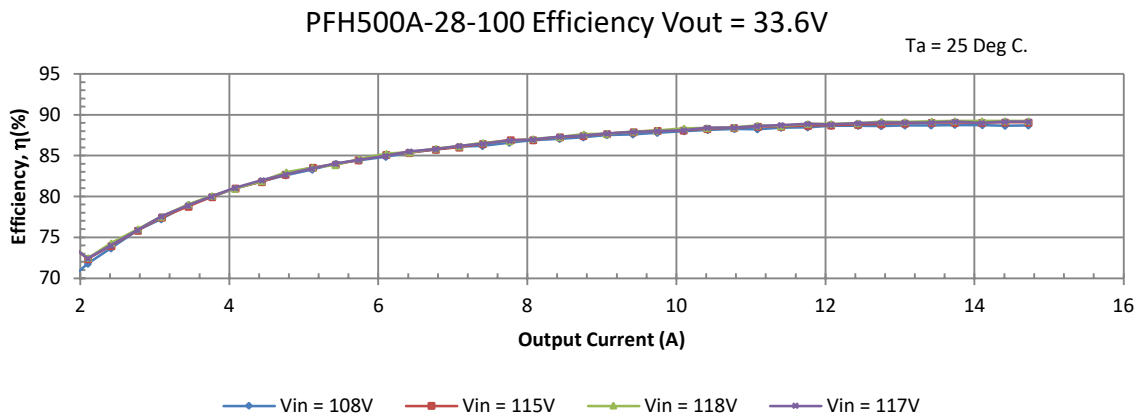
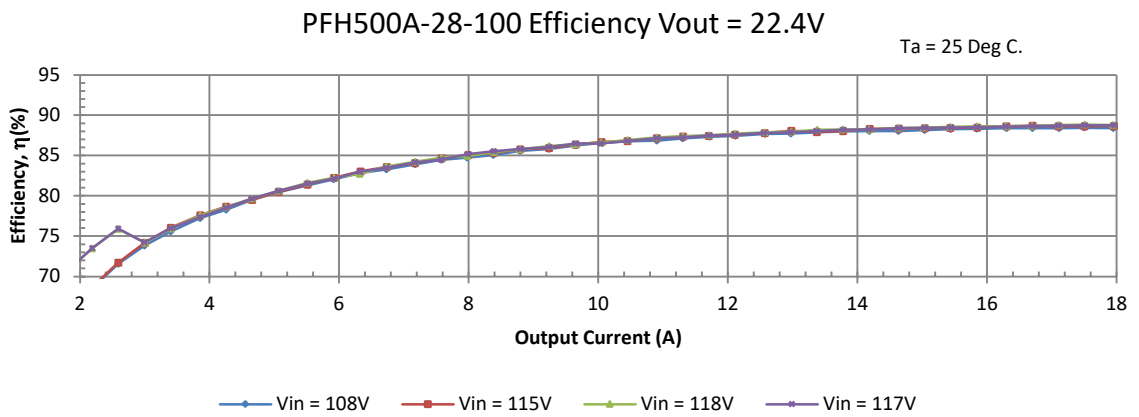
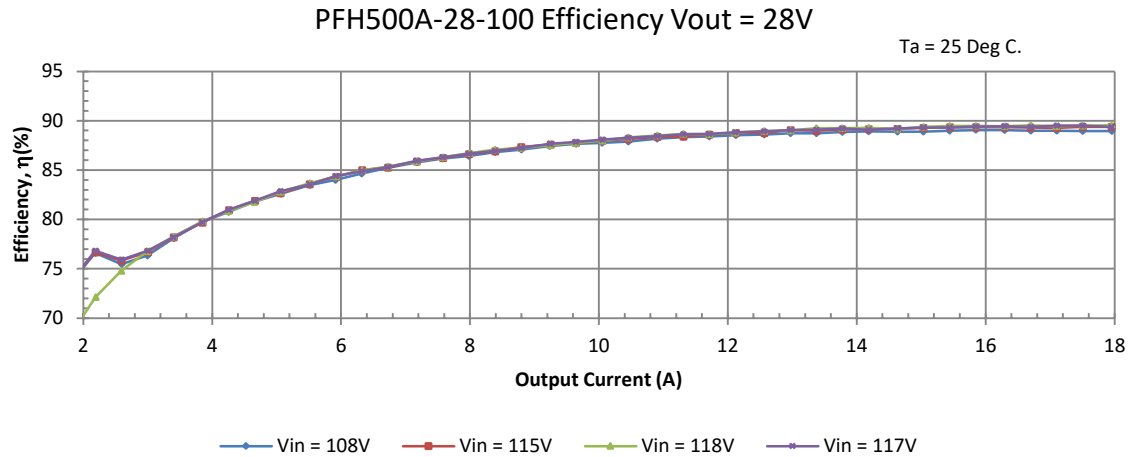


b. Load Regulation (400Hz)

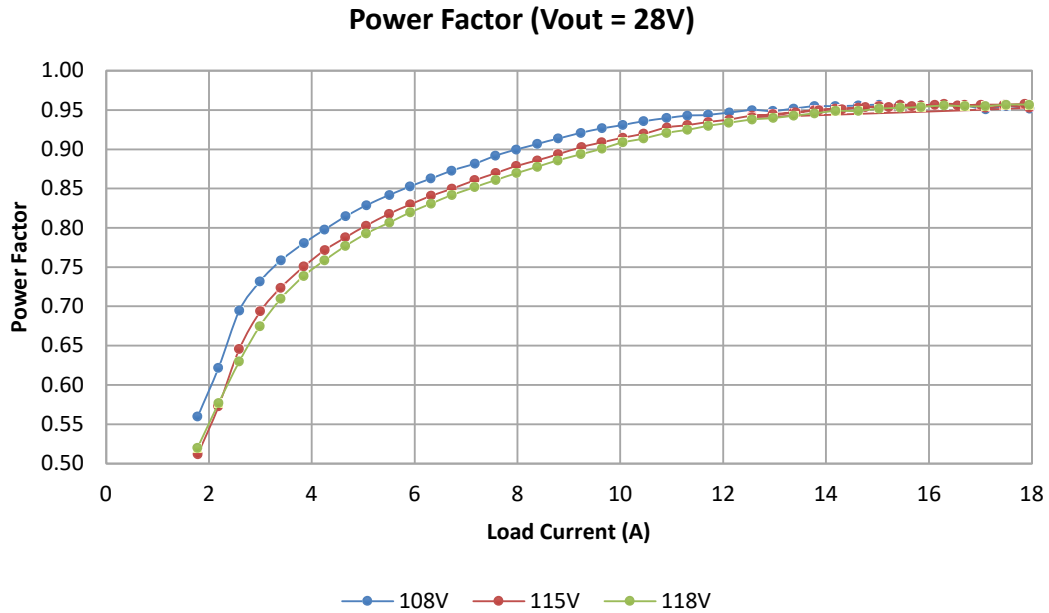
PFH500A-28-100 Load Regulation Vout = 28V



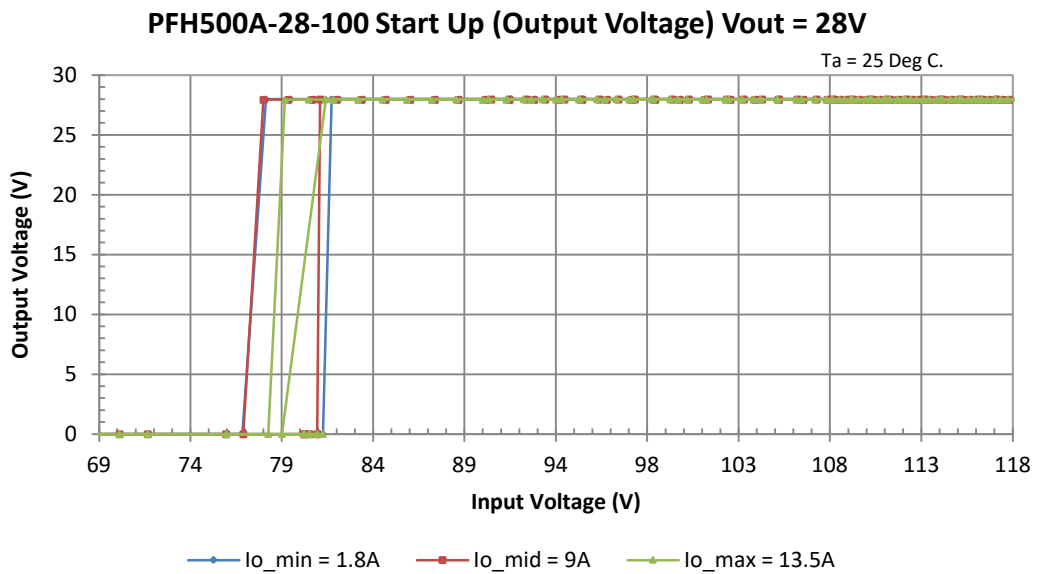
2.1.2 Efficiency vs. Output Current (400Hz)



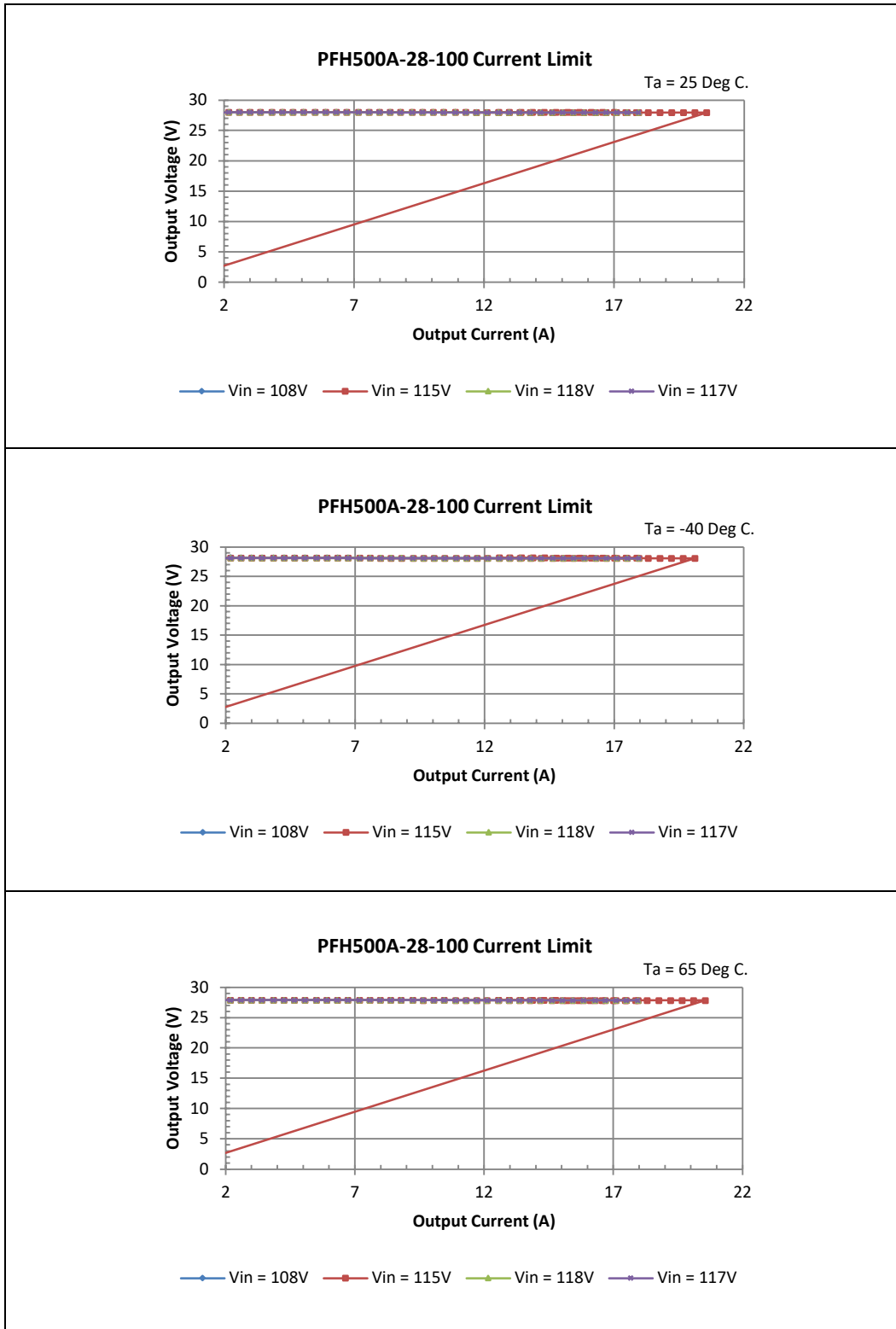
2.1.3 Power Factor (PF) vs. Output Current (400Hz)



2.1.4 Output behavior with input line sweep (400Hz)

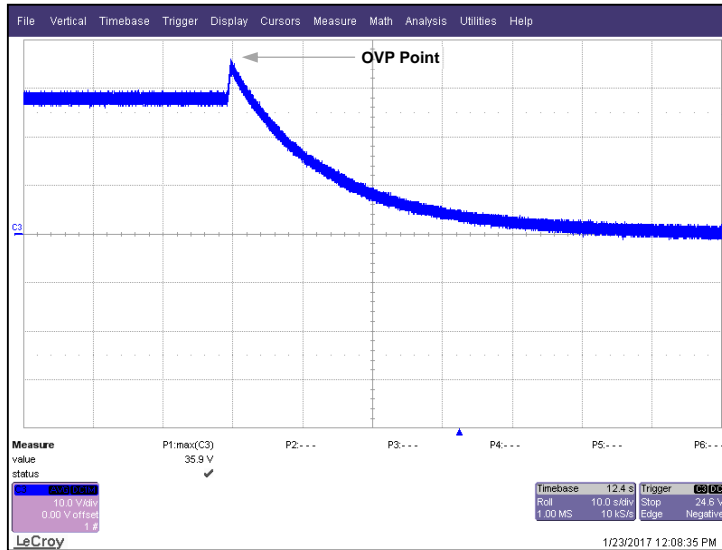


2.2 Over Current Protection (OCP) Characteristics (Refer to section 1.1.2 for Test Setup) (400Hz)

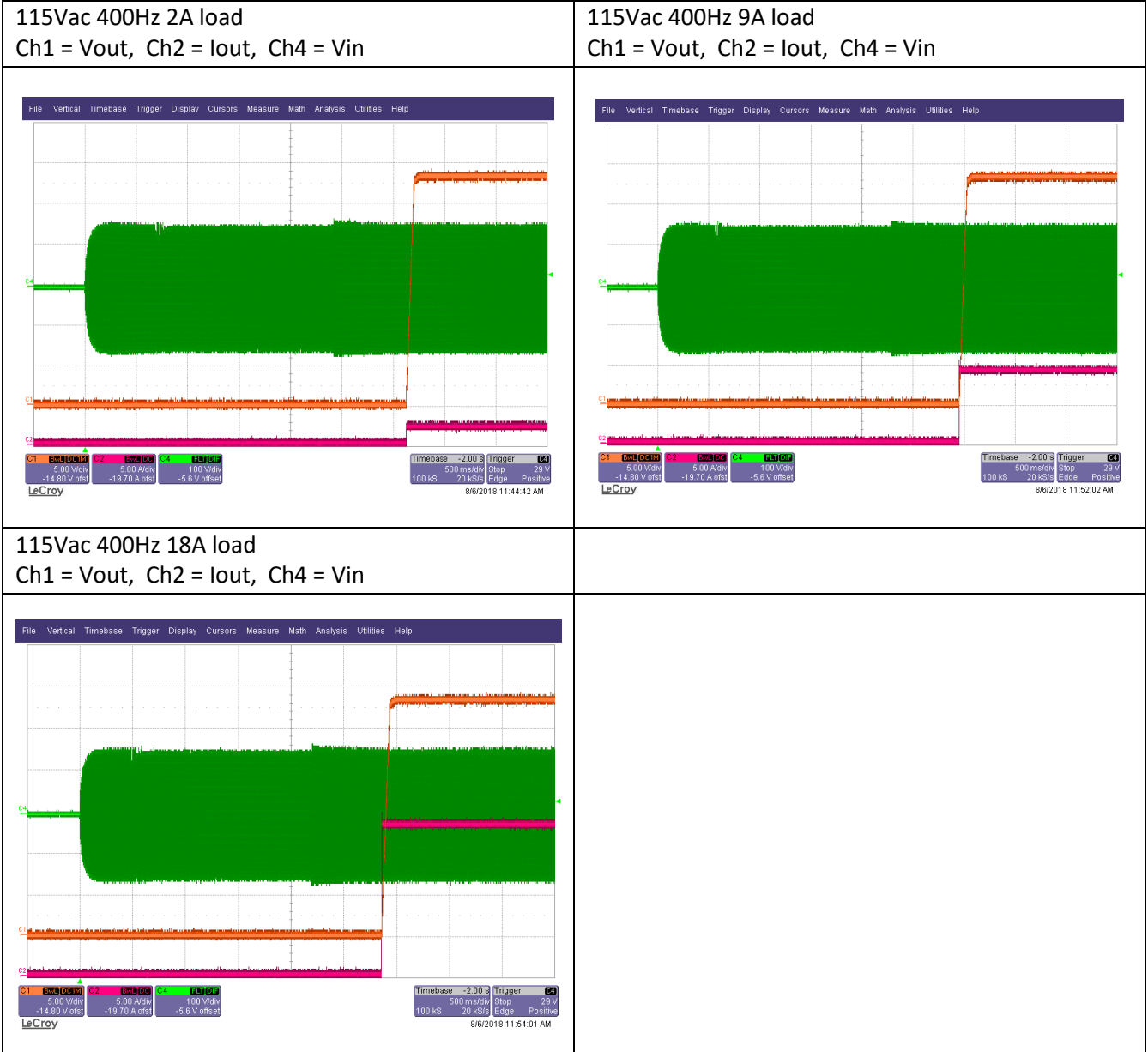


2.3 Over Voltage Protection (OVP) Characteristics (Refer to Section 1.1.2 for Test Setup)

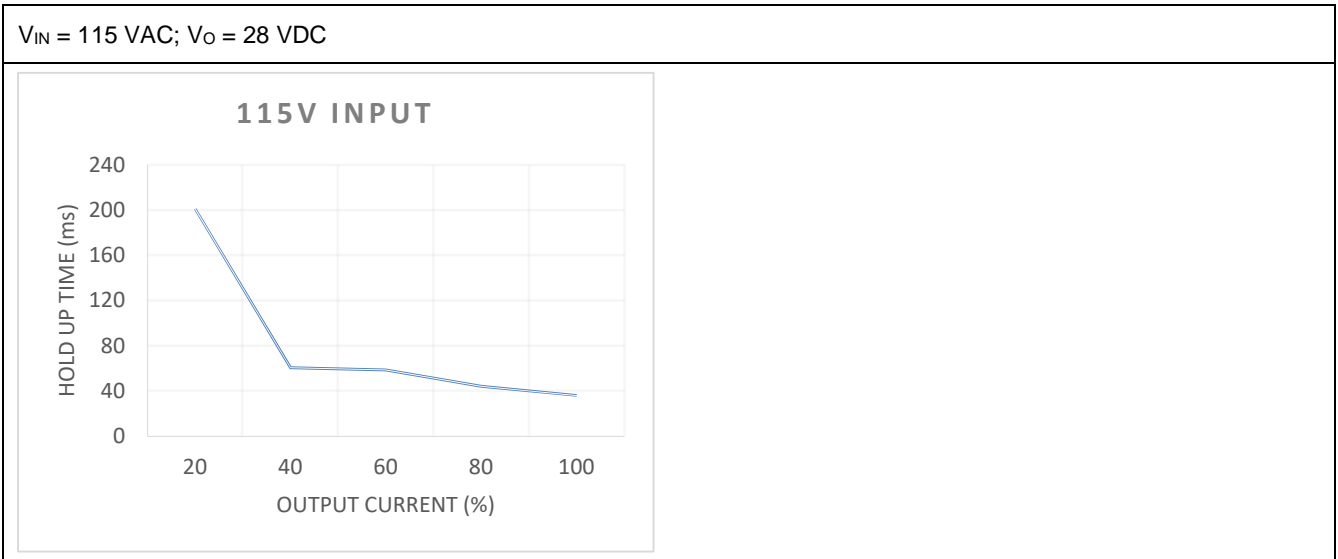
Conditions:	$I_o = 0\%$
	$T_a = 25\text{ }^\circ\text{C}$
	$V_{IN} = 115\text{ VAC}$



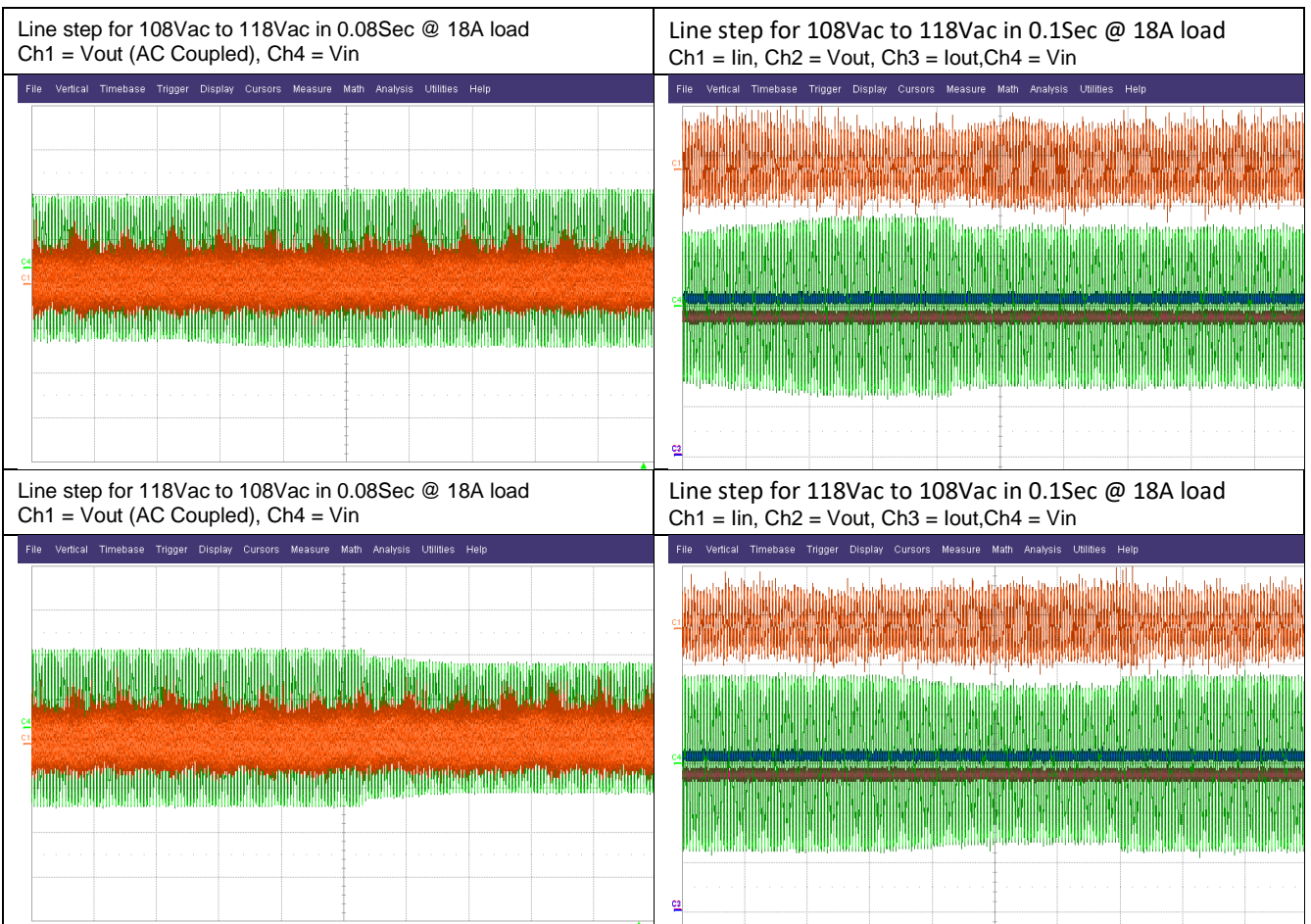
2.4 Output Rise and Fall Characteristic with AC Turn On

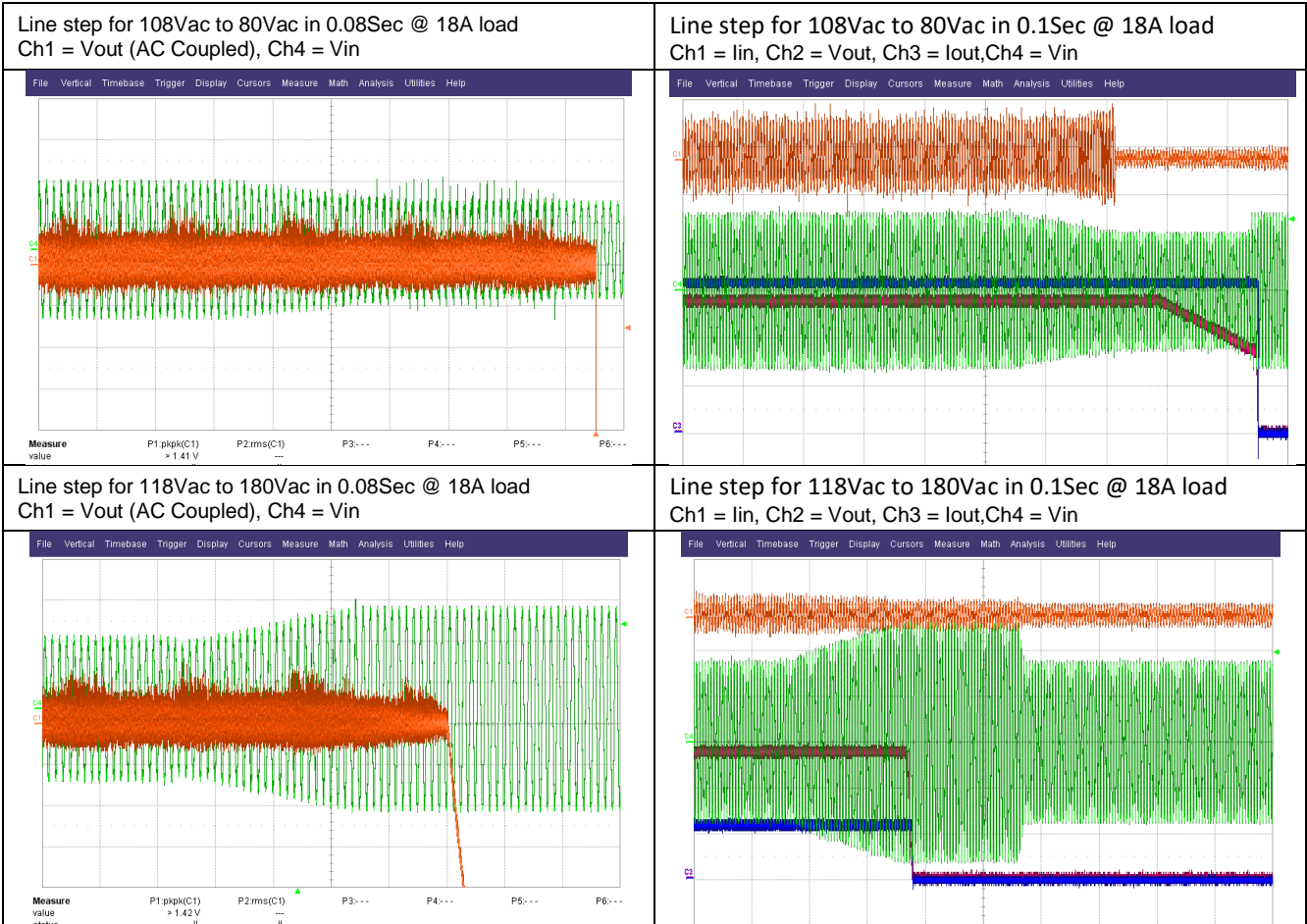


2.5 Hold Up Time Characteristic



2.6 Dynamic Line Response (400Hz)





2.7 Dynamic Load Response

$V_{IN} = 115 \text{ VAC}$; Load Step: 0% (0A) \leftrightarrow 50% (9A), 1kHz
 CH1: V_O (AC Couple); CH2: I_O ; Slew rate: 0.1A/us



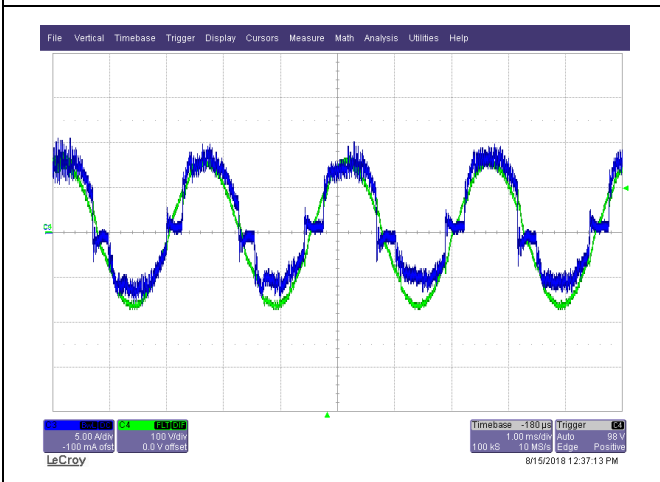
$V_{IN} = 115 \text{ VAC}$; Load Step: 50% (9A) \leftrightarrow 100% (18A), 1kHz
 CH1: V_O (AC Couple); CH2: I_O ; Slew rate: 0.1A/us



2.8 Input Current Waveform

Condition:	$I_o = 100\%$
	$T_a = 25\text{ }^\circ\text{C}$

$V_{IN} = 115\text{ VAC } 400\text{Hz}; I_o = 18\text{A}$
 CH3: I_{IN} ; CH4: V_{IN}

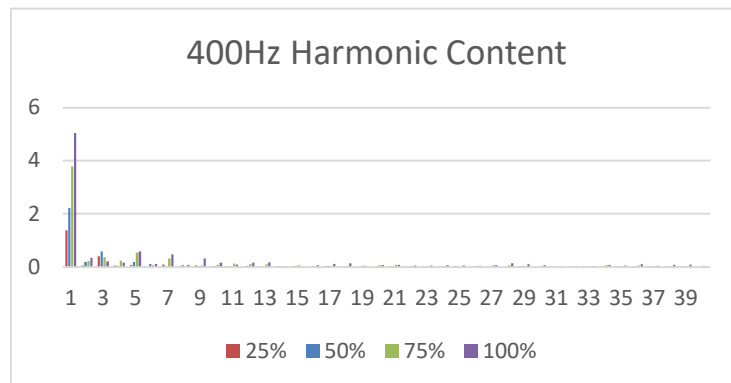


Current (THD = 22%) (PF = 0.93)

2.9 Input Current Harmonics

Condition:	$I_o = 100\%$
	$T_a = 25\text{ }^\circ\text{C}$

$V_{IN} = 115\text{ VAC}$



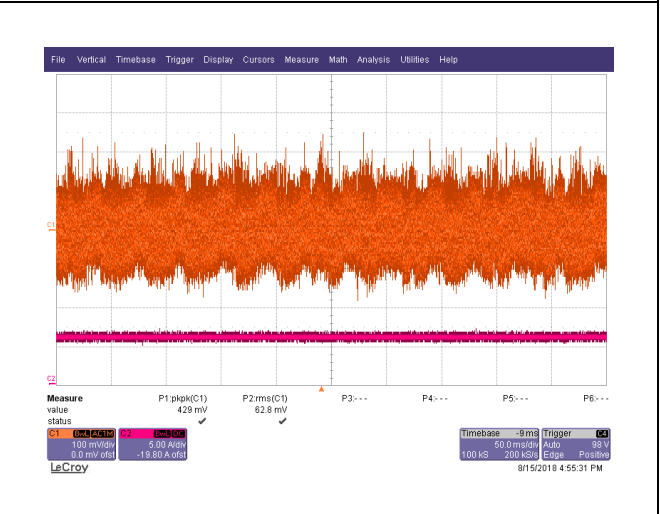
2.10 Output Ripple and Noise

$T_a = 25\text{ }^\circ\text{C}$

$V_{IN} = 115\text{ VAC } 400\text{Hz}$; $I_o = 2\text{A}$; $V_o = 28\text{ VDC}$
Ch1 = Vout (ac coupled) Ch2 = Iout



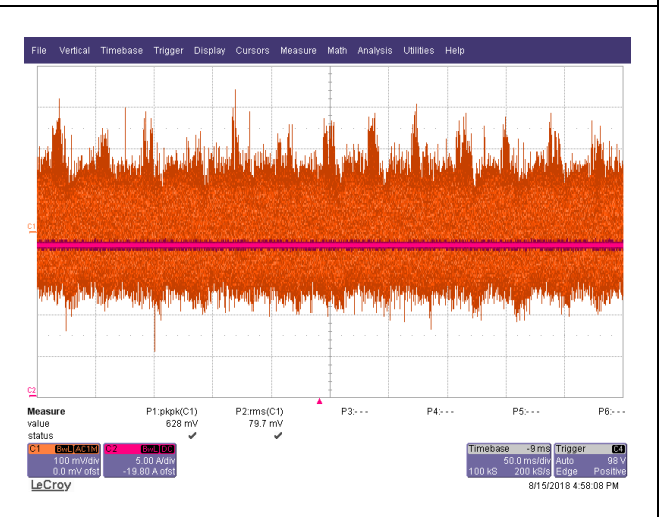
$V_{IN} = 115\text{ VAC } 400\text{Hz}$; $I_o = 6\text{A}$; $V_o = 28\text{ VDC}$
Ch1 = Vout (ac coupled) Ch2 = Iout



$V_{IN} = 115\text{ VAC } 400\text{Hz}$; $I_o = 14\text{A}$; $V_o = 28\text{ VDC}$
Ch1 = Vout (ac coupled) Ch2 = Iout



$V_{IN} = 115\text{ VAC } 400\text{Hz}$; $I_o = 18\text{A}$; $V_o = 28\text{ VDC}$
Ch1 = Vout (ac coupled) Ch2 = Iout



Information furnished by TDK-Lambda is believed to be accurate and reliable. However, TDK-Lambda assumes no responsibility for its use, nor for any infringement of patents or other rights of third parties, which may result from its use. No license is granted by implication or otherwise under any patent or patent rights of TDK-Lambda. TDK components are not designed to be used in applications, such as life support systems, wherein failure or malfunction could result in injury or death. All sales are subject to TDK-Lambda's Terms and Conditions of Sale, which are available upon request. Specifications are subject to change without notice.



TDK-Lambda France SAS

Tel: +33 1 60 12 71 65
france@fr.tdk-lambda.com
www.emea.lambda.tdk.com/fr



Italy Sales Office

Tel: +39 02 61 29 38 63
info.italia@it.tdk-lambda.com
www.emea.lambda.tdk.com/it



Netherlands

info@nl.tdk-lambda.com
www.emea.lambda.tdk.com/nl



TDK-Lambda Germany GmbH

Tel: +49 7841 666 0
info.germany@de.tdk-lambda.com
www.emea.lambda.tdk.com/de



Austria Sales Office

Tel: +43 2256 655 84
info@at.tdk-lambda.com
www.emea.lambda.tdk.com/at



Switzerland Sales Office

Tel: +41 44 850 53 53
info@ch.tdk-lambda.com
www.emea.lambda.tdk.com/ch



Nordic Sales Office

Tel: +45 8853 8086
info@dk.tdk-lambda.com
www.emea.lambda.tdk.com/dk



TDK-Lambda UK Ltd.

Tel: +44 (0) 12 71 85 66 66
powersolutions@uk.tdk-lambda.com
www.emea.lambda.tdk.com/uk



TDK-Lambda Ltd.

Tel: +9 723 902 4333
info@tdk-lambda.co.il
www.emea.lambda.tdk.com/il



C.I.S.

Commercial Support:

Tel: +7 (495) 665 2627

Technical Support:

Tel: +7 (812) 658 0463

info@tdk-lambda.ru

www.emea.lambda.tdk.com/ru



TDK-Lambda Americas

Tel: +1 800-LAMBDA-4 or 1-800-526-2324
powersolutions@us.tdk-lambda.com
www.us.lambda.tdk.com



TDK Electronics do Brasil Ltda

Tel: +55 11 3289-9599
sales.br@tdk-electronics.tdk.com
www.tdk-electronics.tdk.com/en



TDK-Lambda Corporation

Tel: +81-3-6778-1113
www.jp.lambda.tdk.com



TDK-Lambda (China) Electronics Co. Ltd.

Tel: +86 21 6485-0777
powersolutions@cn.tdk-lambda.com
www.lambda.tdk.com.cn



TDK-Lambda Singapore Pte Ltd.

Tel: +65 6251 7211
tfs.mkt@sg.tdk-lambda.com
www.sg.lambda.tdk.com



TDK India Private Limited, Power Supply Division

Tel: +91 80 4039-0660
mathew.philip@in.tdk-lambda.com
www.sg.lambda.tdk.com

