

CUS1500M/RF

A279-01-01/CUSRF

SPECIFICATIONS(1/2)

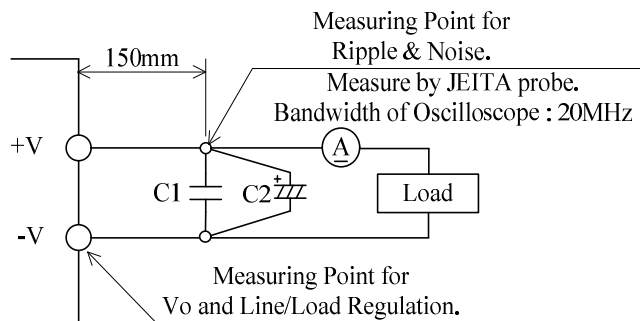
ITEMS		MODEL	CUS1500M -12/RF	CUS1500M -15/RF	CUS1500M -24/RF	CUS1500M -36/RF	CUS1500M -48/RF	
1	Nominal Output Voltage	V	12	15	24	36	48	
2	Maximum Output Current	A	125	100	63	42	32	
3	Maximum Output Power	W	1500	1500	1512	1512	1536	
4	Efficiency (Typ) (*13)	100/115VAC	%	81/82	81/82	85/85	85/85	84/85
		200/230VAC	%	84/85	84/85	88/88	88/88	87/88
5	Input Voltage Range	(*2)(*11)	-					85 - 265VAC (47 - 63Hz) or 120 - 340VDC
6	Input Current (Typ) (*13)	100/115VAC	A	19 / 16				
		200/230VAC	A	10 / 8				
7	Inrush Current (Typ)	(*1)(*3)	-					20A / 40A at 1st Inrush , 60A / 60A at 2nd Inrush
8	PFHC		-					Designed to meet IEC61000-3-2
9	Power Factor (Typ)	(*1)	-					0.98/0.95
10	Output Voltage Range	V	10.2 - 14.4	12.8 - 18.0	20.4 - 28.8	30.6 - 43.2	40.8 - 52.8	
11	Maximum Ripple & Noise (*4)	0≤Ta≤60°C	mV	150	150	180	250	300
		-20≤Ta<0°C	mV	180	180	200	300	400
12	Maximum Line Regulation	(*5)(*11)	mV	48	60	96	144	192
13	Maximum Load Regulation	(*6)(*11)	mV	96	120	144	216	288
14	Temperature Coefficient		-					Less than 0.02% / °C
15	Over Current Protection	(*7)	A	131.3 -	105.0 -	66.2 -	44.1 -	33.6 -
16	Over Voltage Protection	(*8)	V	15.0 - 18.0	18.8 - 22.5	30.0 - 36.0	45.0 - 54.0	55.2 - 60.0
17	Hold-up Time (Typ)	(*1)	-					20ms
18	Leakage Current	(*9)	-					Less than 0.3mA
19	Remote Sensing	(*14)	-					Possible
20	Monitoring Signal	(*14)	-					Possible
21	Remote Control	(*14)	-					Possible
22	Parallel Operation	(*14)	-					Possible
23	Series Operation	(*14)	-					Possible
24	Operating Temperature	(*10)(*11)	-					-20 - +70°C (-20 - +50°C:100%, +60°C:75%, +70°C:50%)
25	Operating Humidity		-					20 - 90%RH (No Condensing)
26	Storage Temperature		-					-30 - +75°C
27	Storage Humidity		-					10 - 90%RH (No Condensing)
28	Cooling	(*15)	-					Forced Air Cooling (Variable fan speed, Intake fan)
29	Withstand Voltage		-					Input-FG : 2kVAC (20mA) 1xMOPP, Input-Output : 4kVAC (20mA) 2xMOPP, Output-FG : 1.5kVAC (20mA) 1xMOPP for 1min
30	Isolation Resistance		-					More than 100MΩ at 25°C and 70%RH Output to Chassis : 500VDC
31	Vibration		-					At no operating, 10 - 55Hz (Sweep for 1min) 19.6m/s ² Constant, X,Y,Z 1hour each.
32	Shock		-					Less than 196m/s ²
33	Safety		-					Approved by UL60950-1, CSA60950-1, EN60950-1, ES60601-1 3rd Edition, EN60601-1 3rd Edition, CSA-C22.2 No.60601-1 3rd Edition. UL62368-1, EN62368-1,CSA62368-1, EN62477-1(OVC III). Designed to meet Den-an Appendix 12 (J60950-1).
34	Line DIP		-					Designed to meet SEMI-F47 (200VAC Line only)
35	Conducted Emission	(*12)	-					Designed to meet EN55011/EN55032-B, FCC-B, VCCI-B
36	Radiated Emission	(*12)	-					Designed to meet EN55011/EN55032-B, FCC-B, VCCI-B
37	Immunity	(*12)	-					Designed to meet IEC61000-6-2 IEC61000-4-2, -3, -4, -5, -6, -8, -11
38	Weight (Typ)	g	-					3000
39	Size (W x H x D)	mm	-					127 x 63 x 261 (Refer to Outline Drawing)
40	Standby supply		-					5V / 1A

*Read instruction manual carefully, before using the power supply unit.

=NOTES=

- *1. At 100VAC/200VAC, Ta=25°C, nominal output voltage and maximum output power.
- *2. For cases where conformance to various safety specs (UL, CSA, EN) are required, to be described as 100 - 240VAC(50-60Hz).
- *3. Not applicable for the in-rush current to Noise Filter for less than 0.2ms.
- *4. Please refer to Fig. A for measurement of Vo, line & load regulation and ripple voltage.
- *5. 85 - 265VAC, constant load.
- *6. No load-Full load, constant input voltage.
- *7. Constant current limit with automatic recovery. Over current condition for more than 5 seconds will cause the output to shut down. Avoid to operate at over load or short circuit condition.
- *8. OVP circuit will shut down output, manual reset (Re power on).
- *9. Measured by the each measuring method of UL, CSA, EN and Den-an(at 60Hz), Ta=25°C.
- *10. Output Derating
 - Refer to LOAD vs. AMBIENT TEMPERATURE(A279-01-02/CUSRF-).
 - Load (%) is percent of maximum output power or maximum output current, do not exceed its derating of maximum load.
- *11. Output derating needed when input voltage less than 90VAC. Refer to LOAD vs. INPUT VOLTAGE(A279-01-02/CUSRF-).
- *12. The power supply is considered a component which will be installed into a final equipment.
The final equipment should be re-evaluated that it meets EMC directives.
- *13. Ta=25°C, nominal output voltage and maximum output power.
- *14. Refer to instruction manual(A279-04-01/CUS).
- *15. Fan noise depend on output power and internal temperature.
Fan noise is 52dB(typ) at 30°C / 70% load.

Fig.A



C1 : Film Cap. 0.1μF
C2 : Elect. Cap. 47μF

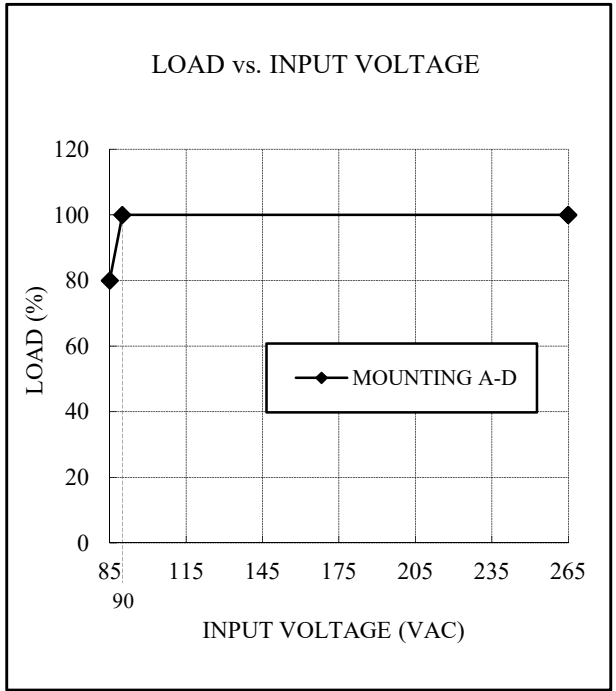
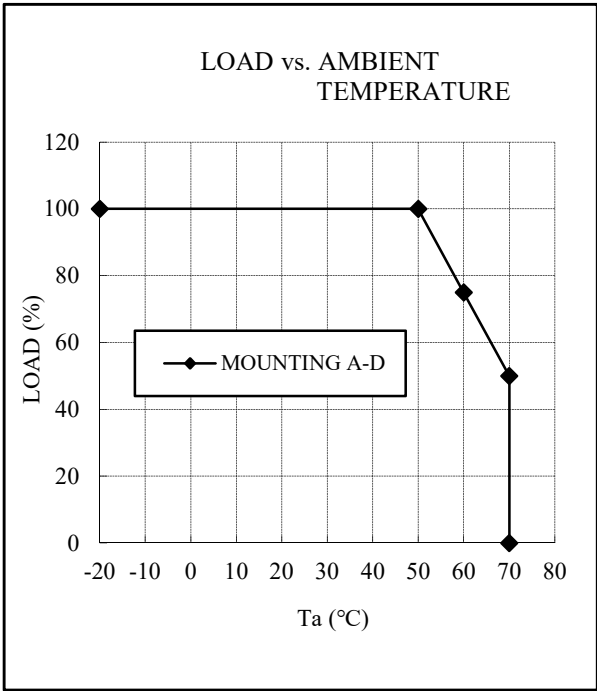
CUS1500M/RF

OUTPUT DERATING

A279-01-02/CUSRF

Ta (°C)	LOAD (%)
	MOUNTING A-D
-20 - +50	100
60	75
70	50

INPUT VOLTAGE (VAC)	LOAD (%)
	MOUNTING A-D
85	80
90 - 265	100



MOUNTING A
MOUNTING B
MOUNTING C
MOUNTING D

(STANDARD MOUNTING)

