

SPECIFICATIONS

A269-01-01/A-A

ITEMS		MODEL	EVS18-16R7/A	EVS36-8R4/A	EVS57-5R3/A
1	Nominal Output Voltage	V	18	36	57
2	Maximum Output Current	A	16.7	8.4	5.3
3	Maximum Output Power	W	300.6	302.4	302.1
4	Efficiency (Typ)	100VAC	86	88	87
		(*1) 200VAC	89	91	90
5	Input Voltage Range	(*2)(*3) -	85 - 265VAC (47 - 63Hz) or 120 - 370VDC		
6	Input Current (Typ)	(*1) A	3.6/1.8		
7	Inrush Current (Typ)	(*1)(*4) -	15A at 100VAC, 30A at 200VAC, Ta=25°C, Cold Start		
8	PFHC	-	Designed to meet IEC61000-3-2		
9	Power Factor (Typ)	(*1) -	0.97/0.93		
10	Output Voltage Range	V	12 - 18	24 - 36	48 - 57
11	Maximum Ripple & Noise	0≤Ta≤70°C	200	250	250
		(*5) -20≤Ta<0°C	250	300	400
12	Maximum Line Regulation	(*5)(*6) mV	72	144	228
13	Maximum Load Regulation	(*5)(*7) mV	144	252	285
14	Temperature Coefficient	(*5) -	Less than 0.02% / °C		
15	Output Constant Current Limit Range	(*8) A	8.35 - 16.70	4.20 - 8.40	2.65 - 5.30
16	Constant Current Setting accuracy	-	±10%		
17	Over Voltage Protection	(*9) V	19.8 - 23.4	39.6 - 46.8	62.7 - 74.1
18	Hold-up Time (Typ)	(*1) -	10ms(typ) at 100VAC & Rated O/P Power		
19	Leakage Current	(*10) -	Less than 0.5mA. 0.2mA (Typ) at 100VAC / 0.4mA (Typ) at 230VAC		
20	Parallel Operation	-	Possible		
21	Series Operation	-	Possible		
22	Operating Temperature	(*11) -	-20 - +60°C (-20 - +30°C:100%, +40°C:80%, +50°C:60%, 60°C:40%)		
23	Operating Humidity	-	30 - 90%RH (No Condensing)		
24	Storage Temperature	-	-30 - +75°C		
25	Storage Humidity	-	10 - 90%RH (No Condensing)		
26	Cooling	-	Convection Cooling		
27	Withstand Voltage	-	Input - FG : 2kVAC (10mA), Input - Output : 3kVAC (10mA) Output - FG : 500VAC (20mA)		
28	Isolation Resistance	-	More than 100MΩ at 25°C and 70%RH Output - FG : 500VDC		
29	Vibration	-	At no operating, 10 - 55Hz (Sweep for 1min) 19.6m/s ² Constant, X,Y,Z 1hour each.		
30	Shock	-	Less than 196.1m/s ²		
31	Safety	-	Approved by UL62368-1, CSA62368-1, EN62368-1, UL60950-1, CSA60950-1, EN60950-1 (Expire date of 60950-1 : 20/12/2020) Designed to meet Den-an Appendix 8 at 100VAC only.		
32	Conducted Emission	(*12) -	Designed to meet EN55011/EN55032-B, FCC-B, VCCI-B		
33	Radiated Emission	(*12) -	Designed to meet EN55011/EN55032-B, FCC-B, VCCI-B		
34	Immunity	(*12) -	Designed to meet IEC61000-6-2 IEC61000-4-2, -3, -4, -5, -6, -8, -11		
35	Weight (Typ)	g	800		
36	Size (W x H x D)	mm	95 x 53 x 212 (Refer to Outline Drawing)		

*Read instruction manual carefully, before using the power supply unit.

=NOTES=

*1. At 100VAC/200VAC, Ta=25°C, nominal output voltage and maximum output power.

*2. For cases where conformance to various safety specs (UL, CSA, EN) are required, to be described as 100 - 240VAC (50-60Hz).

*3. Output derating needed when input voltage less than 90VAC. Refer to LOAD vs. INPUT VOLTAGE (A269-01-02/A-).

*4. Not applicable for the in-rush current to Noise Filter for less than 0.2ms.

*5. Please refer to Fig. A for measurement of Vo, line & load regulation and ripple voltage.

*6. 90 - 265VAC, constant load.

*7. No load-Full load, constant input voltage.

*8. Constant current limit with automatic recovery. Avoid to operate at short circuit condition.
Avoid to operate at constant current condition that output voltage is less than 50% of setting output voltage.

Avoid to adjust rotary switch(S1) when power supply is operating.

*9. OVP circuit will shut down output, manual reset (Re power on).

*10. Measured by the each measuring method of UL, CSA, EN and DENAN (at 60Hz), Ta=25°C.

*11. Output Derating

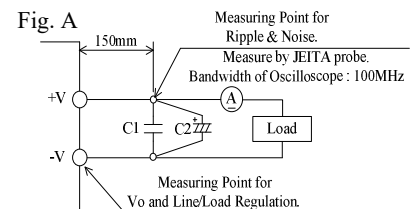
- Derating at standard mounting. Refer to LOAD vs. AMBIENT TEMPERATURE (A269-01-02/A-).

- When forced air cooling, refer to forced air cooling specifications (A269-01-03/A-).

- Load (%) is percent of maximum output power or maximum output current, do not exceed its derating of maximum load.

*12. The power supply is considered a component which will be installed into a final equipment.

The final equipment should be re-evaluated that it meets EMC directives.



C1 : Film Cap. 0.1 μF
C2 : Elect. Cap. 100 μF

EVS300W/A

OUTPUT DERATING

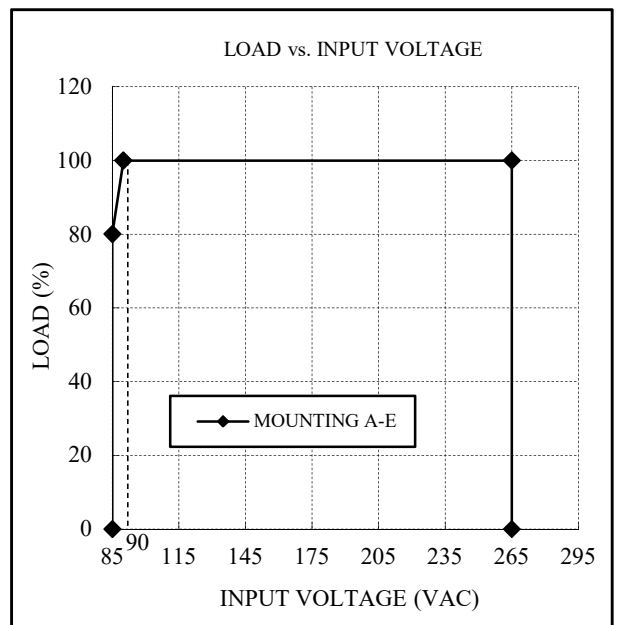
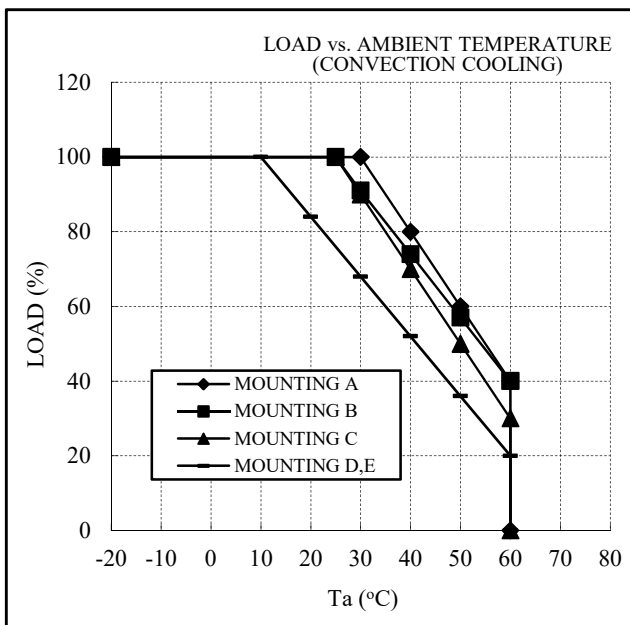
A269-01-02/A

*COOLING : CONVECTION COOLING

Ta (°C)	LOAD (%)		
	MOUNTING A	MOUNTING B	MOUNTING C
-20 - +25	100	100	100
30	100	91	90
40	80	74	70
50	60	57	50
60	40	40	30

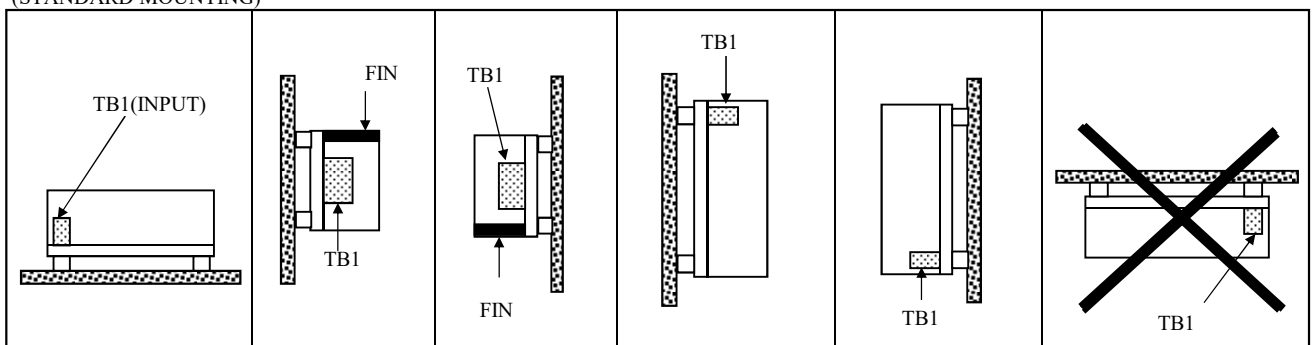
Ta (°C)	LOAD (%)
	MOUNTING D,E
-20 - +10	100
20	84
30	68
40	52
50	36
60	20

INPUT VOLTAGE (VAC)	LOAD (%)
	MOUNTING A-E
85	80
90 - 265	100



- MOUNTING A
- MOUNTING B
- MOUNTING C
- MOUNTING D
- MOUNTING E
- DON'T USE

(STANDARD MOUNTING)



EVS300W/A

OUTPUT DERATING

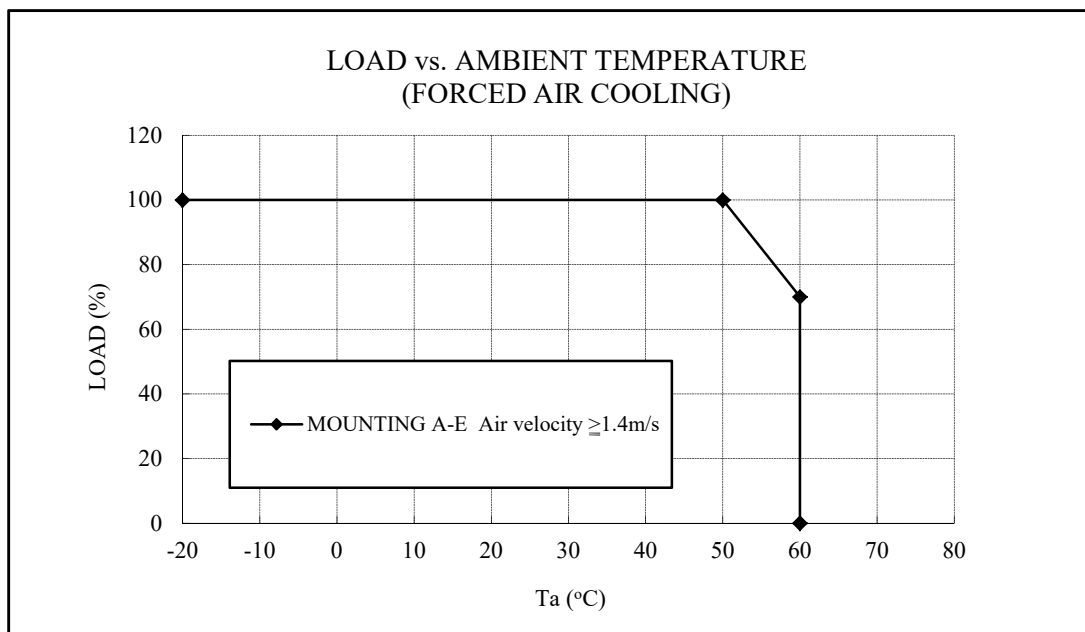
A269-01-03/A

*COOLING : FORCED AIR COOLING

Ta (°C)	LOAD (%)
	MOUNTING A-E
-20 - +50	100
60	70

Air velocity $\geq 1.4\text{m/s}$:

Air must flow through component side.



- MOUNTING A
- MOUNTING B
- MOUNTING C
- MOUNTING D
- MOUNTING E
- DON'T USE

(STANDARD MOUNTING)

