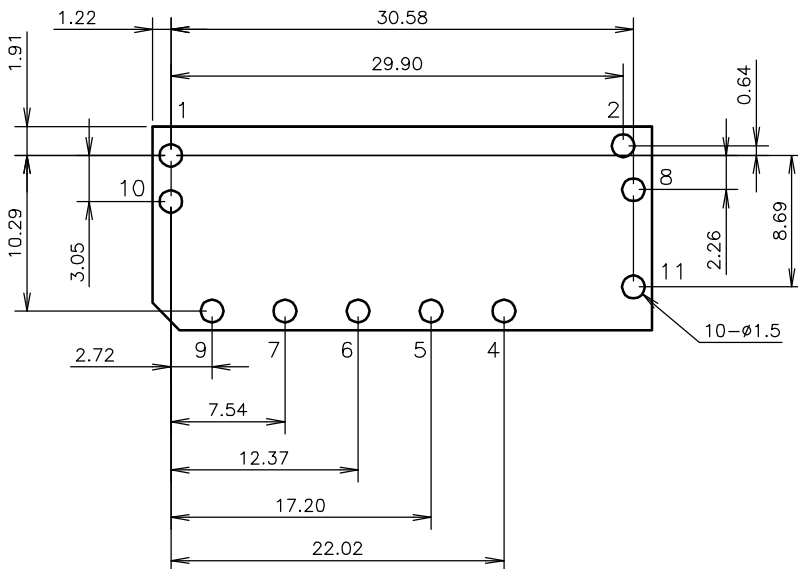
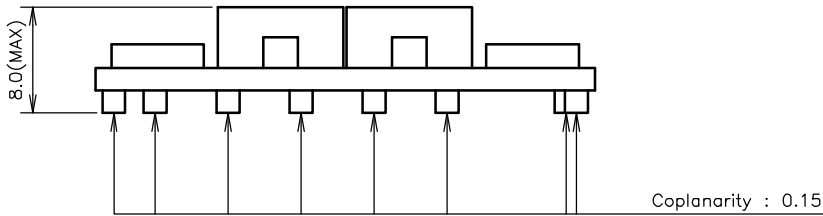


Unless otherwise specified dimensional tolerance as follows:

DIMENSION L (mm)	TOLERANCE ±mm
$L \leq 16.0$	0.25
$16.0 < L \leq 63.0$	
$63.0 < L \leq 250.0$	0.3
$250.0 < L \leq 1000.0$	0.5



Pin Assignment

Pin No.	Function
1	ON/OFF
2	VIN
3	BLANK
4	GND
5	VOUT
6	TRIM
7	SENSE
8	GND
9	SHARE
10	GND
11	PGOOD

(unit : mm)

MODEL NAME	PML12030A007V
TDK-Lambda	

C261-02-01A