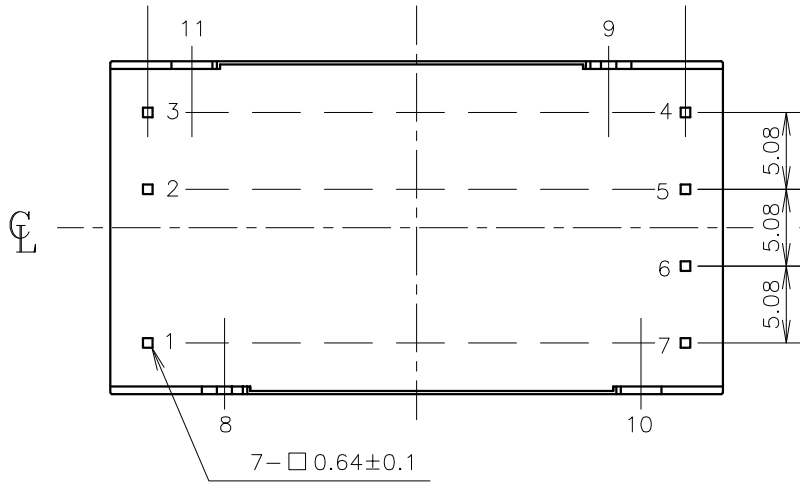
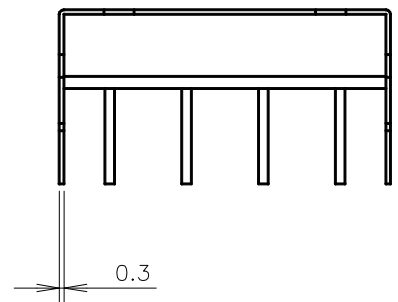
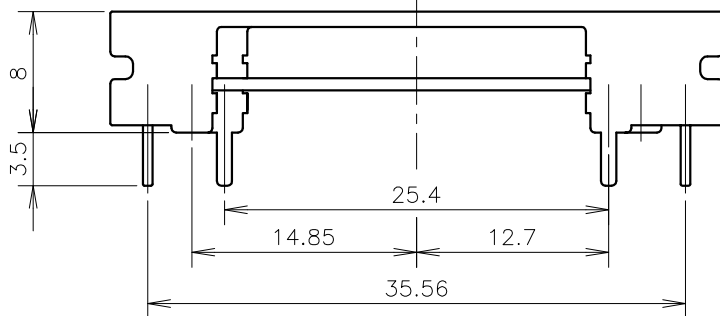
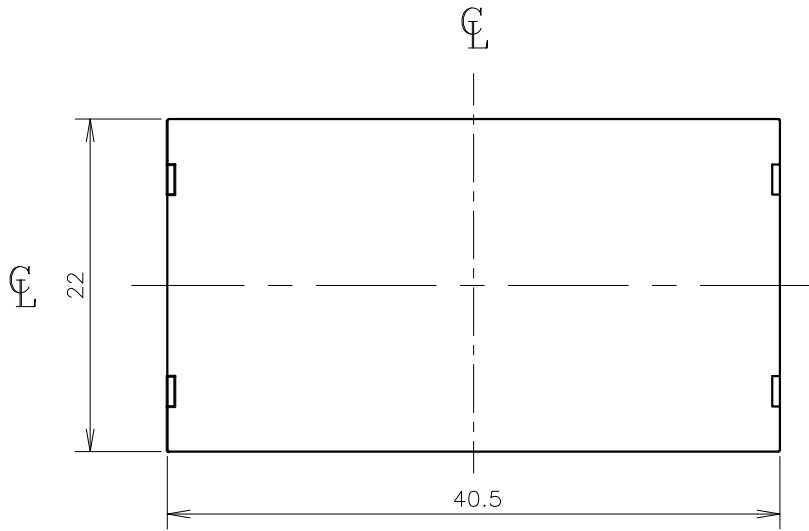
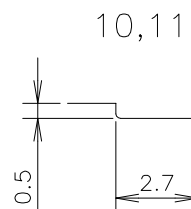
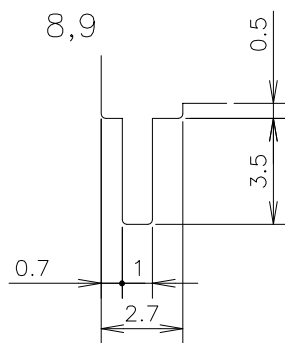


GENERAL TOLERANCE : ± 0.5



TERMINAL ASSIGNMENTS

- 1 +Vin
- 2 CNT
- 3 -Vin
- 4 -Vout
- 5 COM
- 6 TRM
- 7 +Vout



(unit : mm)

MODEL NAME	PSD10
DENSEI-LAMBDA	

C211-02-01A