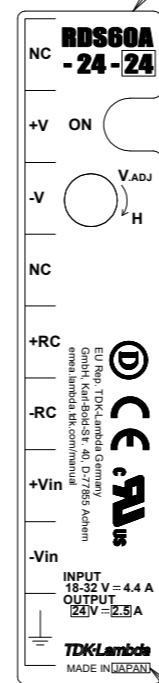
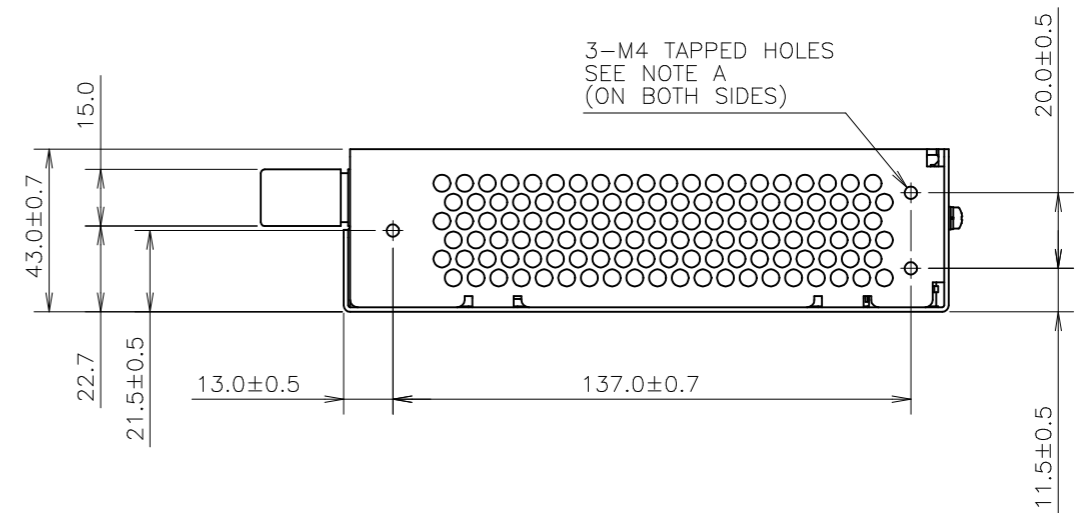


NAME PLATE

SEE NOTE B



SEE NOTE C



NOTES

- A : M4 TAPPED HOLES
10 POINTS FOR CUSTOMER CHASSIS MOUNTING.
SCREWS MUST NOT BE PROTRUDE INTO POWER SUPPLY BY 7mm.
 - B : MODEL NAME, INPUT VOLTAGE, NOMINAL OUTPUT VOLTAGE,
AND MAXIMUM OUTPUT CURRENT ARE SHOWN HERE
IN ACCORDANCE WITH THE SPECIFICATIONS.
 - C : COUNTRY OF MANUFACTURE WILL BE SHOWN HERE.
 - D : \perp IS PROTECTIVE BONDING TERMINAL.
- TOLERANCE : ±1mm UNLESS OTHERWISE SPECIFIED.

(unit : mm)

MODEL NAME	RDS60A-24
TDK-Lambda	

FA006-02-01