

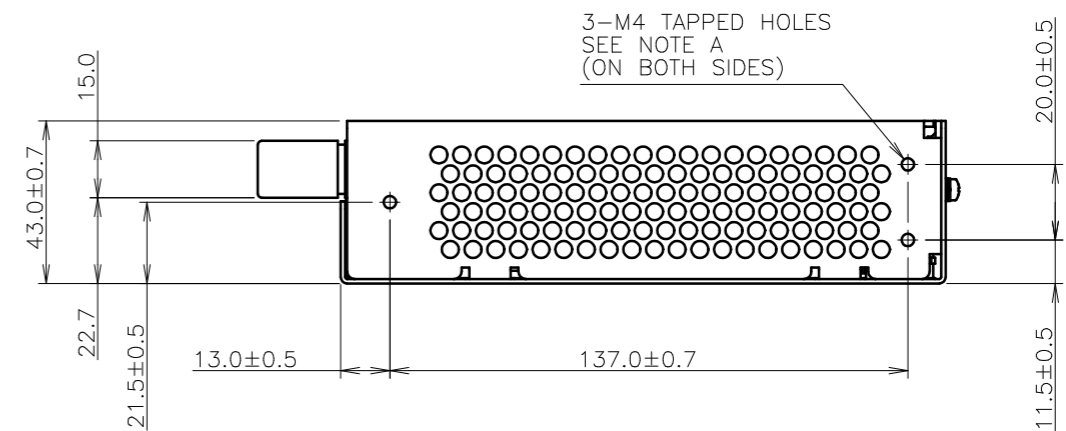
NOTES

A : M4 TAPPED HOLES
 10 POINTS FOR CUSTOMER CHASSIS MOUNTING.
 SCREWS MUST NOT BE PROTRUDE INTO POWER SUPPLY BY 7mm.

B : MODEL NAME, INPUT VOLTAGE RANGE, NOMINAL OUTPUT VOLTAGE,
 MAXIMUM OUTPUT CURRENT, COUNTRY OF MANUFACTURE
 AND SAFETY MARKING (FOR ONLY APPROVED PRODUCTS) ARE
 SHOWN HERE IN ACCORDANCE WITH THE SPECIFICATIONS.

C : \perp IS PROTECTIVE BONDING TERMINAL.

TOLERANCE : ±1mm UNLESS OTHERWISE SPECIFIED.



(unit : mm)

MODEL NAME	RDS60A-48
TDK-Lambda	
FA010-02-01A	