

CCG15-24-xxD

C282-01-01C

(This specification sheet also apply to option model /P)

SPECIFICATIONS (1/2)

MODEL		CCG15-24-12D	CCG15-24-15D
ITEMS			
INPUT			
Input Voltage Range	VDC	9 - 36	
Efficiency (Typ) (*1)	%	89	90
Input Current (Typ) (*1)	A	0.73	0.70
OUTPUT			
Nominal Output Voltage	VDC	±12	±15
Output Voltage Accuracy (*1)	%	±5	
Maximum Output Current	A	0.65	0.5
Maximum Output Power	W	15.6	15
Maximum Line Regulation (*2)	mV	60	75
Maximum Load Regulation (*3)	mV	120	150
Maximum Load Regulation (*10)	mV	480	600
Temperature Coefficient	-	0.02%/°C	
Maximum Ripple & Noise (*4)	mVp-p	95	95
Output Voltage Range	-	Fixed	
Over Current Protection (*5)	-	105% minimum	
Over Voltage Protection	-	None	
FUNCTION			
Remote ON/OFF Control (*6)	-	Possible	
Remote Sensing	-	None	
Parallel Operation	-	None	
Series Operation (*6)	-	Possible	
ENVIRONMENT			
Operating Temperature (*7)	-	-40°C - +110°C(Case) , -40°C - +85°C(Ambient)	
Storage Temperature	-	-55°C - +125°C	
Operating Humidity	-	5 - 95%RH (Non Condensing)	
Storage Humidity	-	5 - 95%RH (Non Condensing)	
Vibration (*8)	-	At No Operating, 10 - 55Hz (Sweep for 3min.) Amplitude 1.52 mm Constant (Maximum 90.8m/s ²) X,Y,Z 1 hour each	
Shock (*8)	-	490.3m/s ²	
Cooling	-	Convection cooled / Forced air cooled	
ISOLATION			
Withstand Voltage (*9)	-	Input-Case : 1.0kVDC for 1min. (10mA) , Input-Output : 1.5kVDC for 1min. (10mA) Output-Case : 1.0kVDC for 1min. (10mA)	
Isolation Resistance	-	More than 100MΩ at 25°C and 70%RH, Output - Case 500VDC	
STANDARD AND COMPLIANCE			
Safety	-	Approved by UL62368-1, CSA62368-1, EN62368-1, UL60950-1,CSA60950-1	
MECHANICAL			
Weight (Typ.)	g	20	
Size (W x H x D)	mm	25.4 x 9.9 x 25.4 (Refer to Outline Drawing)	

CCG15-24-xxD

C282-01-01C

SPECIFICATIONS (2/2)

*Read Instruction Manual carefully, before using the power supply unit.

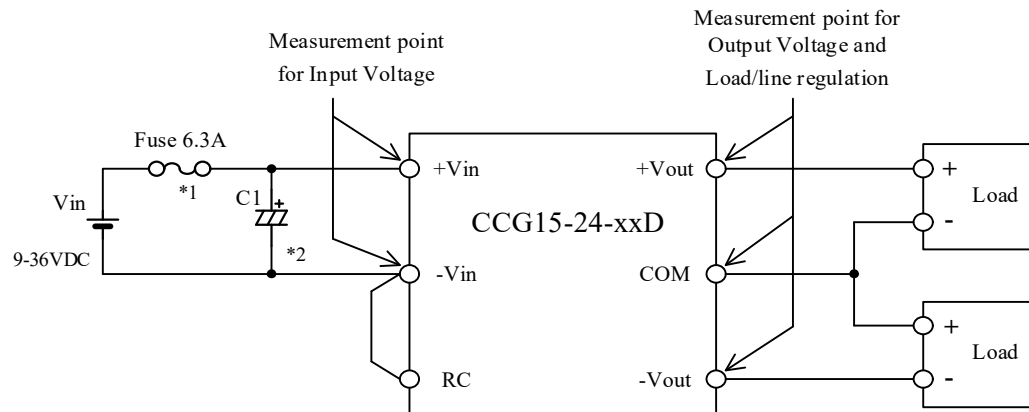
=NOTES=

- *1. At 24VDC input voltage and maximum output current. (Ambient Temperature = +25°C.)
- *2. 9 - 36VDC input voltage, constant load.
- *3. No Load - Full Load, constant input voltage. (Balanced load)
- *4. External components are needed for operation. (Refer to Instruction Manual.)
- *5. OCP TYPE : Hiccup, Automatic recovery.
- *6. Refer to Instruction Manual.
- *7. Rating - Refer to Derating Curve in Instruction Manual.
- *8. The result is evaluated by TDK-Lambda standard measurement conditions.
The final equipment should be evaluated to meet its requirements.
- *9. This specification applies to power supply module as stand-alone.
- *10. One side fixed Full Load, the other side 20% - Full Load, Constant input voltage. (Asymmetrical load)

CCG15-24-xxD

C282-01-02A

BASIC CONNECTION



*Read instruction manual carefully, before using the power supply unit.

==NOTES==

*1. Use an external DC fuse (fast blow type or normal blow type) for each unit.

*2. Put input capacitor.

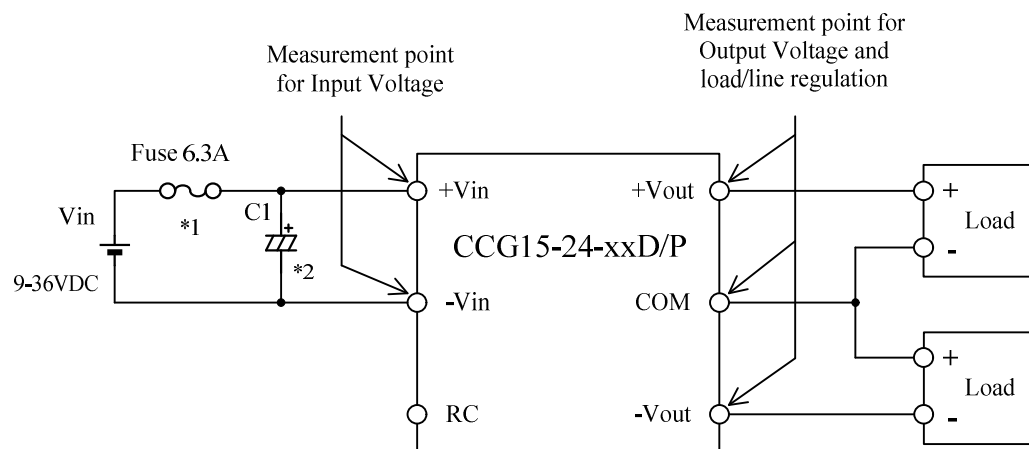
C1 : Electrolytic capacitor More than 50V, 120uF

- 1) Use low impedance electrolytic capacitor with excellent temperature characteristics.
- 2) If the impedance of input line is high, C1 capacitance must be more than above.

CCG15-24-xxD/P

C282-01-02/P-A

BASIC CONNECTION



*Read instruction manual carefully, before using the power supply unit.

==NOTES==

*1. Use an external DC fuse (fast blow type or normal blow type) for each unit.

*2. Put input capacitor.

C1 : Electrolytic capacitor More than 50V, 120uF

- 1) Use low impedance electrolytic capacitor with excellent temperature characteristics.
- 2) If the impedance of input line is high, C1 capacitance must be more than above.