

**CCG15-24-xxS**

C268-01-01D

(This specification sheet also apply to option model /P)

**SPECIFICATIONS**

MODEL		CCG15-24-03S	CCG15-24-05S	CCG15-24-12S	CCG15-24-15S
<b>INPUT</b>					
Input Voltage Range	VDC	9 - 36			
Efficiency (Typ.) (*1)	%	85	87	88	88
Input Current (Typ.) (*1)	A	0.65	0.72	0.74	0.71
<b>OUTPUT</b>					
Nominal Output Voltage	VDC	3.3	5	12	15
Output Voltage Accuracy (*1)	%	±2			
Maximum Output Current	A	4	3	1.3	1
Maximum Output Power	W	13.2	15	15.6	15
Maximum Line Regulation (*2)	mV	13.2	20	48	60
Maximum Load Regulation (*3)	mV	13.2	20	48	60
Temperature Coefficient	-	0.02%/°C			
Maximum Ripple & Noise (*4)	mVp-p	70	70	95	95
Output Voltage Range (*4)	VDC	2.97 - 3.63	4.5 - 5.5	10.8 - 13.2	13.5 - 16.5
Over Current Protection (*5)	-	105% minimum			
Over Voltage Protection	-	None			
<b>FUNCTION</b>					
Remote ON/OFF Control (*6)	-	Possible			
Remote Sensing	-	None			
Parallel Operation	-	None			
Series Operation (*6)	-	Possible			
<b>ENVIRONMENT</b>					
Operating Temperature (*7)	-	-40°C - +110°C(Case) , -40°C - +85°C(Ambient)			
Storage Temperature	-	-55°C - +125°C			
Operating Humidity	-	5 - 95%RH (Non Condensing)			
Storage Humidity	-	5 - 95%RH (Non Condensing)			
Vibration (*8)	-	At No Operating, 10-55Hz (Sweep for 3min.) Amplitude 1.52 mm Constant (Maximum 90.8m/s <sup>2</sup> ) X,Y,Z 1 hour each			
Shock (*8)	-	490.3m/s <sup>2</sup>			
Cooling	-	Convection cooled / Forced air cooled			
<b>ISOLATION</b>					
Withstand Voltage (*9)	-	Input-Case : 1.0kVDC for 1min. (10mA) , Input-Output : 1.5kVDC for 1min. (10mA) Output-Case : 1.0kVDC for 1min. (10mA)			
Isolation Resistance	-	More than 100MΩ at 25°C and 70%RH, Output - Case 500VDC			
<b>STANDARD AND COMPLIANCE</b>					
Safety	-	Approved by UL62368-1, CSA62368-1, EN62368-1, UL60950-1,CSA60950-1			
<b>MECHANICAL</b>					
Weight (Typ.)	g	20			
Size (W x H x D)	mm	25.4 x 9.9 x 25.4 (Refer to Outline Drawing)			

\*Read Instruction Manual carefully, before using the power supply unit.

=NOTES=

\*1. At 24VDC input voltage and maximum output current. (Ambient Temperature = +25°C.) \*2. 9 - 36VDC input voltage, constant load.

\*3. No Load - Full Load, constant input voltage.

\*4. External components are needed for operation. (Refer to Instruction Manual.)

\*5. OCP TYPE : Hiccup, Automatic recovery.

\*6. Refer to Instruction Manual.

\*7. Rating - Refer to Output Derating Curve in Instruction Manual.

\*8. The result is evaluated by TDK-Lambda standard measurement conditions.

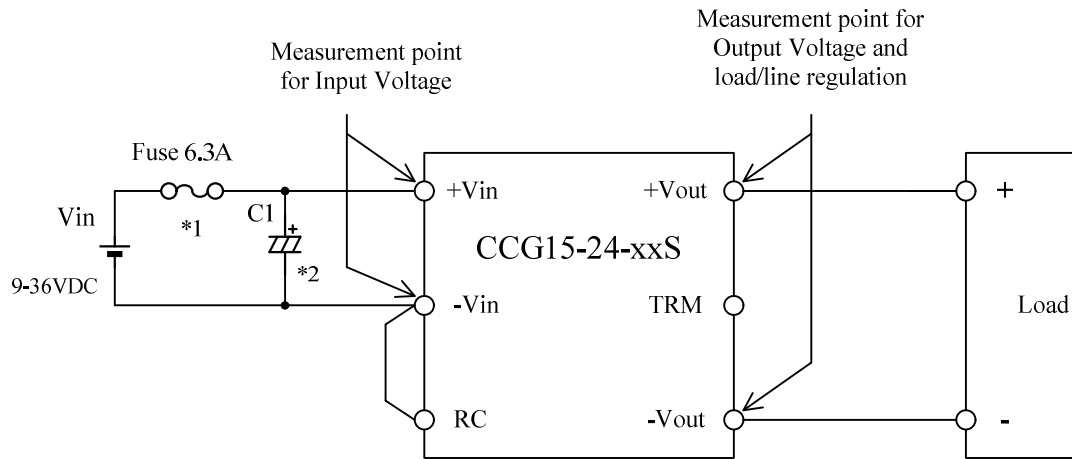
The final equipment should be evaluated to meet its requirements.

\*9. This specification applies to power supply module as stand-alone.

**CCG15-24-xxS**

C268-01-02A

BASIC CONNECTION



\*Read instruction manual carefully, before using the power supply unit.

==NOTES==

\*1. Use an external DC fuse (fast blow type or normal blow type) for each unit.

\*2. Put input capacitor.

C1 : Electrolytic capacitor More than 50V, 120uF

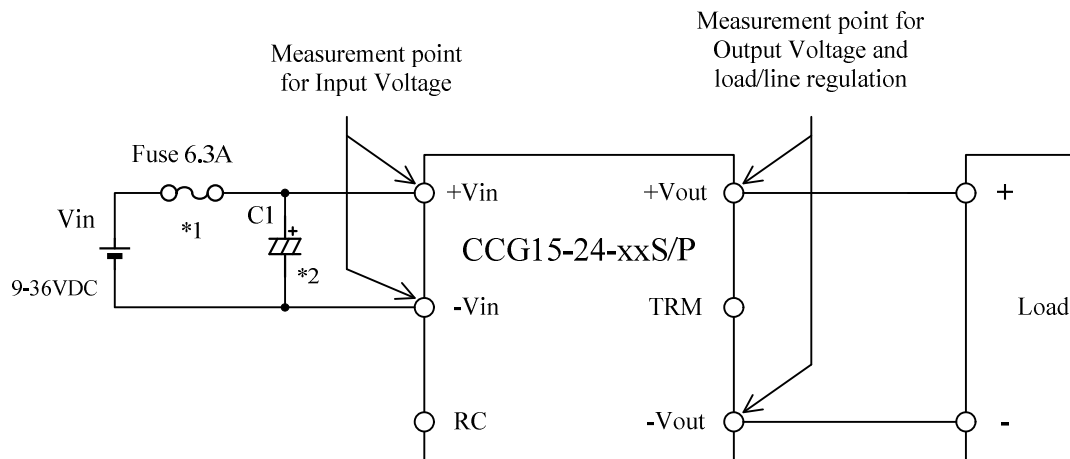
1) Use low impedance electrolytic capacitor with excellent temperature characteristics.

2) If the impedance of input line is high, C1 capacitance must be more than above.

**CCG15-24-xxS/P**

C268-01-02/P-A

BASIC CONNECTION



\*Read instruction manual carefully, before using the power supply unit.

==NOTES==

\*1. Use an external DC fuse (fast blow type or normal blow type) for each unit.

\*2. Put input capacitor.

C1 : Electrolytic capacitor More than 50V, 120uF

- 1) Use low impedance electrolytic capacitor with excellent temperature characteristics.
- 2) If the impedance of input line is high, C1 capacitance must be more than above.