

CCG1R5-12-xxS

C286-01-01C

SPECIFICATIONS

| ITEMS | | MODEL | CCG1R5-12-03S | CCG1R5-12-05S | CCG1R5-12-12S | CCG1R5-12-15S |
|--------------------------------|------|-------|--|---------------|---------------|---------------|
| INPUT | | | | | | |
| Input Voltage Range | | VDC | 4.5 - 18 | | | |
| Efficiency (Typ) | (*1) | % | 74 | 79 | 79 | 79 |
| Input Current (Typ) | (*1) | A | 0.149 | 0.158 | 0.165 | 0.158 |
| OUTPUT | | | | | | |
| Nominal Output Voltage | | VDC | 3.3 | 5 | 12 | 15 |
| Output Voltage Accuracy | (*1) | % | ±2 | | | |
| Maximum Output Current | | A | 0.4 | 0.3 | 0.13 | 0.1 |
| Maximum Output Power | | W | 1.32 | 1.5 | 1.56 | 1.5 |
| Maximum Line Regulation | (*2) | mV | 20 | 20 | 48 | 60 |
| Maximum Load Regulation | (*3) | mV | 20 | 20 | 48 | 60 |
| Temperature Coefficient | | - | 0.02%/°C | | | |
| Maximum Ripple & Noise | (*4) | mV | 200 | 200 | 200 | 200 |
| Output Voltage Range | (*4) | VDC | 3.135 - 3.63 | 4.75 - 5.5 | 11.4 - 13.2 | 14.25 - 16.5 |
| Over Current Protection | (*5) | - | 105% min. | | | |
| Over Voltage Protection | | - | None | | | |
| FUNCTION | | | | | | |
| Remote ON/OFF Control | (*6) | - | Possible | | | |
| Remote Sensing | | - | None | | | |
| Parallel Operation | | - | None | | | |
| Series Operation | (*6) | - | Possible | | | |
| ENVIRONMENT | | | | | | |
| Operating Temperature | (*7) | - | -40°C - +100°C | | | |
| Storage Temperature | | - | -55°C - +125°C | | | |
| Operating Humidity | | - | 5 - 95%RH (Non Condensing) | | | |
| Storage Humidity | | - | 5 - 95%RH (Non Condensing) | | | |
| Vibration | (*8) | - | At No Operating, 10 - 55Hz (Sweep for 1 min.) Amplitude 1.65 mm Constant (Maximum 98m/s ²), X,Y,Z 1 hour each | | | |
| Shock | (*8) | - | 490.3m/s ² | | | |
| Cooling | | - | Convection Cooling / Forced Air Cooling | | | |
| ISOLATION | | | | | | |
| Withstand Voltage | (*9) | - | Input - Output : 1.5kVDC (20mA) 1min. or 1.0kVAC (20mA) 1min. | | | |
| Isolation Resistance | | - | More than 100MΩ at 25°C and 70%RH, Input - Output 500VDC | | | |
| STANDARD AND COMPLIANCE | | | | | | |
| Safety | | - | Approved by IEC/EN/UL/CSA62368-1 (Altitude ≤ 5,000m) | | | |
| MECHANICAL | | | | | | |
| Weight (Typ.) | | g | 3 | | | |
| Size (W x H x D) | | mm | DIP : 15.7 x 11.5 x 10.4 / SMD : 15.7 x 11.8 x 10.4 (Refer to Outline Drawing) | | | |

*Read Instruction Manual carefully, before using the power supply unit.

=NOTES=

*1. At 12VDC input voltage and maximum output current. (Ambient Temperature = +25°C.)

*2. 4.5 - 18VDC input voltage, constant load.

*3. No Load - Full Load, constant input voltage.

*4. External components are needed for operation. (Refer to Instruction Manual.)

*5. OCP TYPE : Hiccup, Automatic recovery.

*6. Refer to Instruction Manual.

*7. Rating - Refer to Output Derating Curve in Instruction Manual.

*8. The result is evaluated by TDK-Lambda standard measurement conditions.

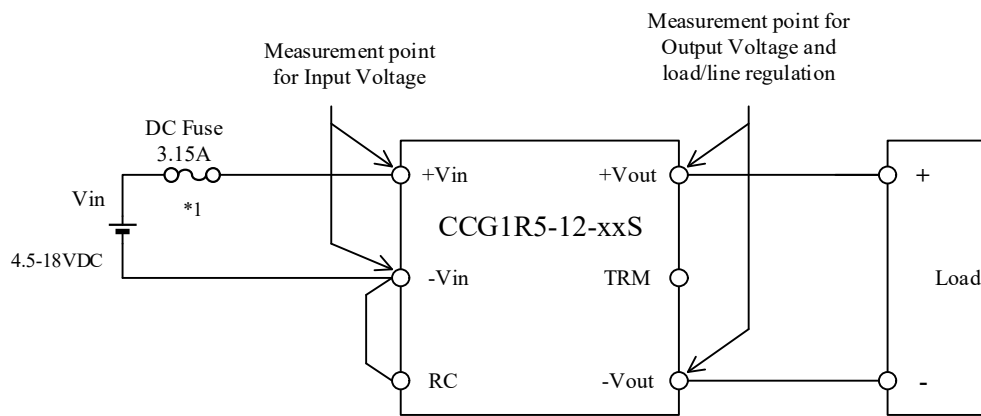
The final equipment should be evaluated to meet its requirements.

*9. This specification applies to power supply module as stand-alone.

CCG1R5-12-xxS

C286-01-02A

BASIC CONNECTION



*Read instruction manual carefully, before using the power supply unit.

==NOTES==

*1. Use an external DC fuse for each unit.