

PAH200H48-*

SPECIFICATIONS

C170-01-01B

(This specifications sheet also apply to option model /V, /P, /PV)

| ITEMS | | MODEL | PAH200H48-1R2 | PAH200H48-1R5 | PAH200H48-1R8 | PAH200H48-2R5 | PAH200H48-3R3 |
|-------|------------------------------|-------|--|---------------|---------------|---------------|---------------|
| 1 | Nominal Output Voltage | V | 1.2 | 1.5 | 1.8 | 2.5 | 3.3 |
| 2 | Maximum Output Current | A | 70 | 70 | 70 | 70 | 60 |
| 3 | Maximum Output Power | W | 84 | 105 | 126 | 175 | 198 |
| 4 | Efficiency (Typ.) (*1) | % | 82 | 84 | 87 | 88 | 90 |
| 5 | Input Voltage Range (*6) | - | 36 - 76VDC (100VDC, 100ms) | | | | |
| 6 | Input Current (Typ.) (*1) | A | 2.19 | 2.67 | 3.08 | 4.23 | 4.68 |
| 7 | Output Voltage Accuracy (*1) | % | ±1 | | | | |
| 8 | Output Voltage Range (*8) | - | -20%, +10% | | | | +/-15% |
| 9 | Maximum Ripple & Noise (*8) | mV | 100 | 100 | 100 | 100 | 100 |
| 10 | Maximum Line Regulation (*2) | mV | 10 | 10 | 10 | 10 | 10 |
| 11 | Maximum Load Regulation (*3) | mV | 10 | 10 | 10 | 10 | 10 |
| 12 | Over Current Protection (*4) | - | 105% - 140% (Option available : Refer to option table) | | | | |
| 13 | Over Voltage Protection (*5) | - | 120% - 140% (Option available : Refer to option table) | | | | |
| 14 | Remote Sensing (*6) | - | Possible | | | | |
| 15 | Remote ON/OFF Control | - | Possible (Option available : Refer to option table) | | | | |
| 16 | Parallel Operation (*6) | - | — | | | | |
| 17 | Series Operation (*6) | - | Possible | | | | |
| 18 | Operating Temperature (*7) | - | Ta= -40°C - +85°C | | | | |
| 19 | Operating Humidity | - | 5 - 95%RH (No Dewdrop) | | | | |
| 20 | Storage Temperature | - | -40°C - +100°C | | | | |
| 21 | Storage Humidity | - | 5 - 95%RH (No Dewdrop) | | | | |
| 22 | Cooling (*7) | - | Convection Cooled / Forced air cooled | | | | |
| 23 | Temperature Coefficient (%) | - | Less than 0.02%/°C | | | | |
| 24 | Withstand Voltage | - | Input-Output : 1.5kVDC for 1min | | | | |
| 25 | Isolation Resistance | - | More than 100MW at 25°C and 70%RH Input-Output...500VDC | | | | |
| 26 | Vibration | - | At No Operating, 10-55Hz (Sweep for 1min.) Amplitude 0.825mm Constant (Maximum 49.0m/s ²) X, Y, Z 1 hour each | | | | |
| 27 | Shock | - | 196.1m/s ² | | | | |
| 28 | Weight (Typ.) | g | 90 | | | | |
| 29 | Size (WxHxD) | mm | 61 x 10.2 x 57.9 (Refer to Outline Drawing) | | | | |

=NOTES=

*1. At 48VDC, maximum output current, Air Velocity = 2m/s and Ta = +25°C.

*2. 36 - 76VDC, constant load.

*3. No load - Full load, constant input voltage.

*4. Constant current limiting.

(The unit automatically shutdown when left in OCP condition,
with the output voltage less than the LVP level.)

Auto restart option available. (Refer to C170-01-02_).

*5. Inverter shutdown method, manual reset. Auto restart option available.

*6. Refer to Instruction manual (C170-04-01_ or C170-04-11_).

*7. Refer to derating curve (C170-01-03_) and Instruction manual.

*8. External components are needed for operation.

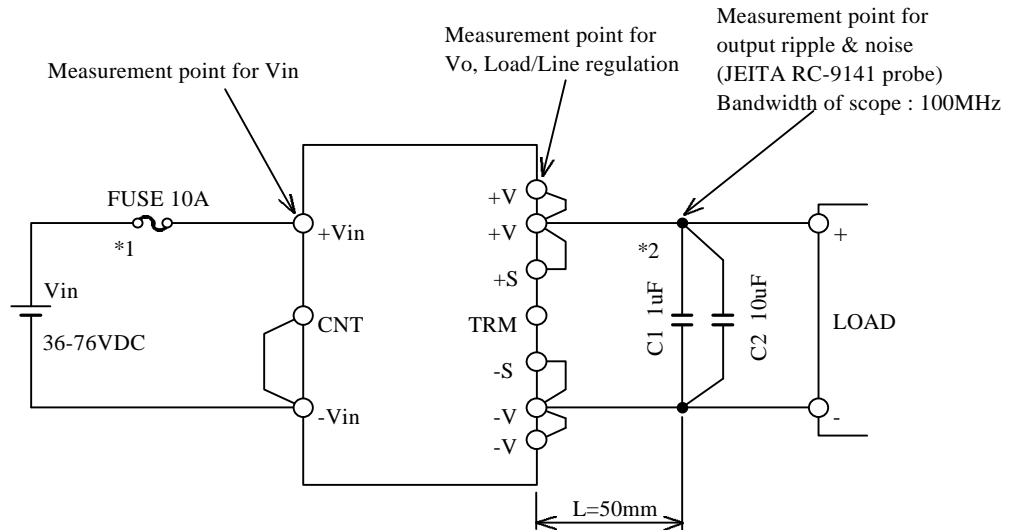
(Refer to basic connection (C170-01-02_) and Instruction manual (C170-04-01_ or C170-04-11_))

PAH200H48-*

C170-01-02

(This specifications sheet also apply to option model /V, /P, /PV)

1. BASIC CONNECTION



==NOTES==

- *1. Use an external fuse (fast blow type) for each unit.
- *2. Put output capacitors.
 - C1: 1uF ceramic capacitor.
 - C2: 10uF tantalum capacitor or electrolytic capacitor.
- *3. Refer to instruction manual for further details.

2. OPTION TABLE

| Option | ON/OFF LOGIC | OVP, OCP |
|----------|--|--|
| Standard | Negative (Short : ON, Open : OFF) | Shut down (ON/OFF control reset or manual reset) |
| /V | | Auto restart |
| /P | Positive (Short : OFF, Open : ON) | Shut down (ON/OFF control reset or manual reset) |
| /PV | | Auto restart |

PAH200H48-*

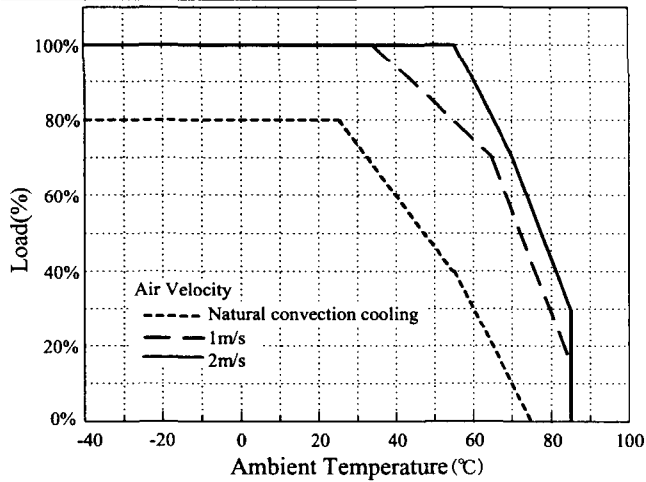
C170-01-03B

(This specifications sheet also apply to option model /V, /P, /PV)

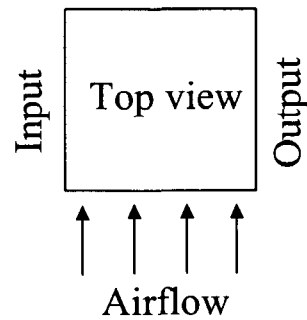
3. DERATING CURVE FOR STANDARD VERTICAL MOUNTING

Vin=48Vdc

PAH200H48-1R2, 1R5 and 1R8



AIRFLOW DIRECTION FOR STANDARD VERTICAL MOUNTING

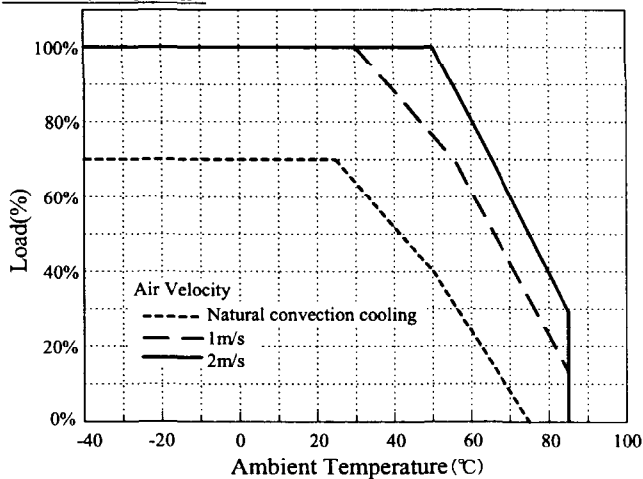


==NOTES==

*For other mounting methods, airflow directions and conditions, refer to Instruction manual (C170-04-01_ or C170-04-11_).

*Natural convection cooling : Air Velocity is 0.2m/s.

PAH200H48-2R5



PAH200H48-3R3

