

PAQ50S48-*/B

SPECIFICATIONS

C165-01-01/B

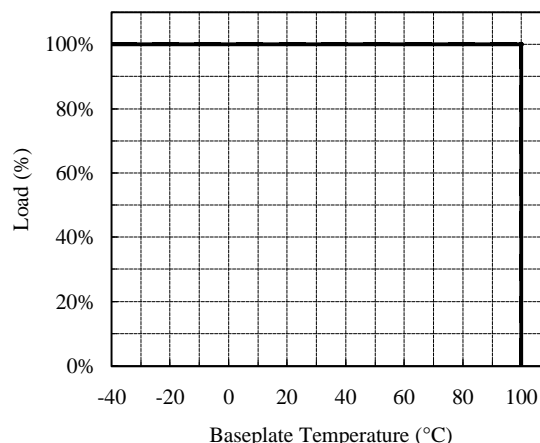
(This specifications sheet also apply to option model /BV, /BP, /BPV)

ITEMS		MODEL		PAQ50S48-1R2/B	PAQ50S48-1R8/B	PAQ50S48-2R5/B	PAQ50S48-3R3/B	PAQ50S48-5/B
1	Nominal Output Voltage	V		1.2	1.8	2.5	3.3	5
2	Maximum Output Current	A		12	12	12	12	10
3	Maximum Output Power	W		14.4	21.6	30	39.6	50
4	Efficiency (Typ.)	(*1)	%	78	83	85	88	90
5	Input Voltage Range	-		36 - 76VDC				
6	Input Current (Typ.)	(*1)	A	0.39	0.56	0.75	0.96	1.18
7	Output Voltage Accuracy	(*1)	%	±1				
8	Output Voltage Range	(*8)	-	-20%, +10%			±15%	
9	Maximum Ripple & Noise	(*8)	mV	100	100	100	100	100
10	Maximum Line Regulation	(*2)	mV	10	10	10	10	10
11	Maximum Load Regulation	(*3)	mV	10	10	10	10	10
12	Over Current Protection	(*4)	-	105% - 150% (Option availavle : Refer to option table)				
13	Over Voltage Protection	(*5)	-	120% - 140% (Option availavle : Refer to option table)				
14	Remote Sensing	(*6)	-	Possible				
15	Remote ON/OFF Control	-	-	Possible (Option availavle : Refer to option table)				
16	Parallel Operation	(*6)	-	—————				
17	Series Operation	(*6)	-	Possible				
18	Operating Temperature	(*7)	-	Baseplate : -40°C - +100°C / MIN Ambient Temperature : -40°C				
19	Operating Humidity	-	-	5 - 95%RH (No Dewdrop)				
20	Storage Temperature	-	-	-40°C - +100°C				
21	Storage Humidity	-	-	5 - 95%RH (No Dewdrop)				
22	Cooling	(*7)	-	Conduction Cooled / Forced air cooled				
23	Temperature Coefficient (%)	-	-	Less than 0.02%/°C				
24	Withstand Voltage	-	-	Input-Baseplate : 1.5kVDC, Input-Output : 1.5kVDC for 1min Output-Baseplate : 500VDC for 1min				
25	Isolation Resistance	-	-	More than 100MΩ at 25°C and 70%RH Output-Baseplate...500VDC				
26	Vibration	-	-	At No Operating, 10-55Hz (Sweep for 1min.) Amplitude 0.825mm Constant (Maximum 49.0m/s ²) X, Y, Z 1 hour each				
27	Shock	-	-	196.1m/s ²				
28	Weight (Typ.)	g		75				
29	Size (W×H×D)	mm		36.8×12.7×57.9 (Refer to Outline Drawing)				

=NOTES=

- *1. At 48VDC, maximum output current, Baseplate Temperature = +25°C.
- *2. 36 - 76VDC, constant load.
- *3. No load - Full load, constant input voltage.
- *4. Constant current limiting.
(The unit automatically shutdown when left in OCP condition, with the output voltage less than the LVP level.)
Auto restart option available. (Refer to C165-01-02/B-_)
- *5. Inverter shutdown method, manual reset. Auto restart option available.
- *6. Refer to Instruction manual (C163-04-01_ or C163-04-11_).
- *7. Refer to derating curve on the Right and Instruction manual.
(C163-04-01/B-_ or C163-04-11/B-_)
- *8. External components are needed for operation.
(Refer to basic connection (C163-01-02/B-_) and Instruction manual (C163-04-01_ or C163-04-11_))

= DERATING CURVE =

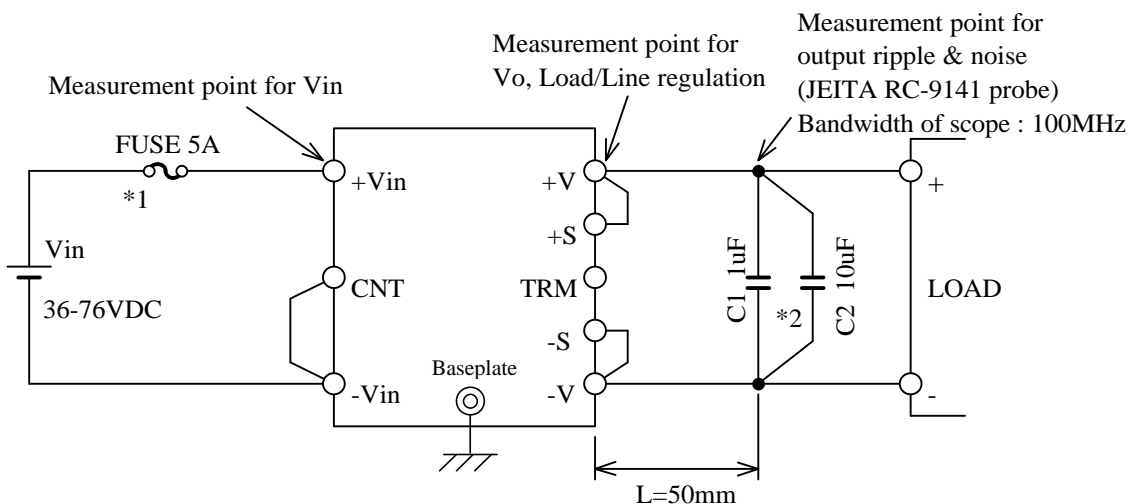


PAQ50S48-*/B

C165-01-02/B

(This specifications sheet also apply to option model /BV, /BP, /BPV)

1. BASIC CONNECTION



==NOTES==

- *1. Use an external fuse (fast blow type) for each unit.
- *2. Put output capacitors.
 C1: 1uF ceramic capacitor.
 C2: 10uF tantalum capacitor or electrolytic capacitor.
- *3. Refer to instruction manual for further details.

2. OPTION TABLE

Option	OVP, OCP	Remote ON/OFF control
/B	Shut down (ON/OFF control reset or manual reset)	Negative (Short : ON, Open : OFF)
/BV	Auto restart	
/BP	Shut down (ON/OFF control reset or manual reset)	Positive (Short : OFF, Open : ON)
/BPV	Auto restart	