

PSD10-24-1212

SPECIFICATIONS

C210-01-01B

MODEL			PSD10-24-1212	
ITEMS			CH1	CH2
1	Nominal Output Voltage	V	+12 (+15)	-12 (-15)
2	Maximum Output Current	A	0.5 (0.4)	0.5 (0.4)
3	Maximum Output Power	W	12.0	
4	Efficiency (Typ.) (*1)	%	84	
5	Input Voltage Range	-	18.0 ~ 36.0VDC	
6	Input Current (Typ.) (*1)	A	0.60	
7	Output Voltage Accuracy (*1)	%	±5	
8	Output Voltage Range (Typ.)	V	+12 ~ +15	-12 ~ -15
9	Maximum Ripple & Noise (*2)	mV	120	120
10	Maximum Line Regulation (*3)	mV	40	40
11	Maximum Load Regulation (*4)	mV	600	600
12	Over Current Protection (*5)	-	Yes	
13	Over Voltage Protection	-	No	
14	Parallel Operation	-	-	
15	Remote ON/OFF Control	-	Yes	
16	Series Operation	-	Possible	
17	Operating Temperature (*6)	-	-40°C ~ 85°C	
18	Operating Humidity	-	5% - 95%RH (No Dewdrop)	
19	Storage Temperature	-	-40°C ~ 85°C	
20	Storage Humidity	-	5% - 95%RH (No Dewdrop)	
21	Cooling	-	Convection Cooling / Forced air cooling	
22	Temperature Coefficient (%)	-	Less than 0.02%/°C	
23	Withstand Voltage	-	Input-Output, Input-Case : 500VAC for 1min (20mA)	
24	Isolation Resistance	-	More than 100MΩ at 25°C and 70%RH Output-Case : 500VDC	
25	Vibration	-	At No Operating, 10-55Hz Amplitude (Sweep for 1min.) 1.52mm Constant (Maximum 88.3m/s ²) X,Y,Z 2 hour each	
26	Shock	-	196.1m/s ²	
27	Weight (Typ.)	g	14	
28	Size (WxHxD)	mm	40.5 x 8.0 x 22.0 (Refer to Outline Drawing)	

= NOTES =

*1. At 24VDC and maximum output power and Ta=+25°C.

*2. This is specified at the output terminals by JEITA RC-9141 measuring method.

*3. From 18.0 ~ 36.0VDC, constant load (balanced load).

*4. From No load - Full load (balanced load), constant input voltage.

*5. Constant current limiting with automatic recovery.

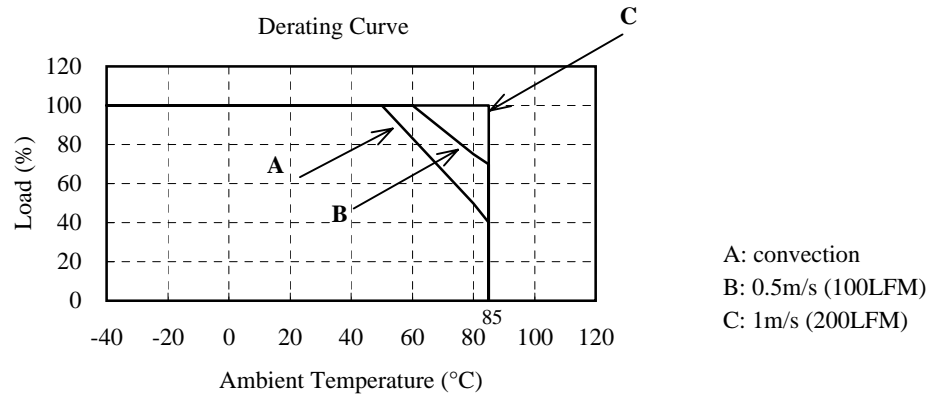
Avoid to operate over load or dead short for longer than 30 sec.

(Refer to instruction manual for details.)

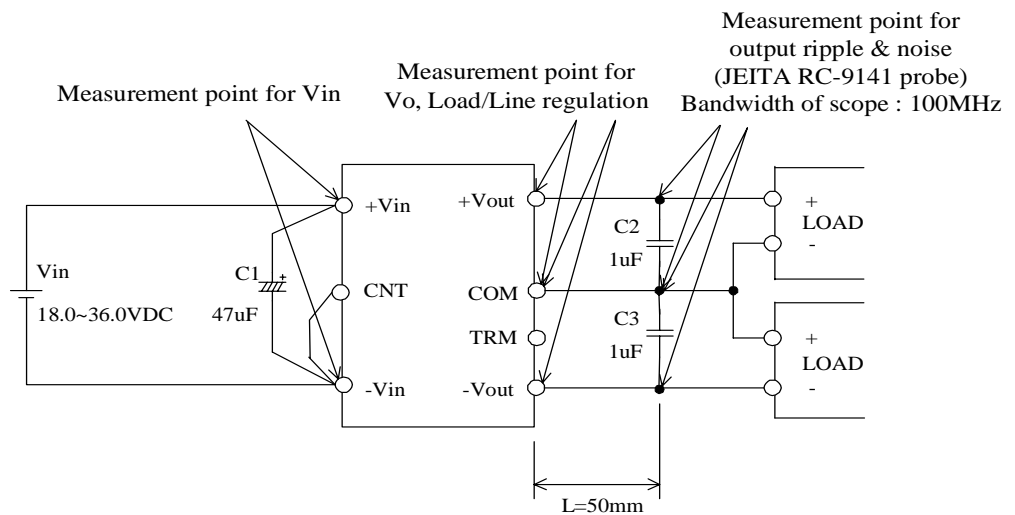
*6. Rating - Refer to derating curve (C210-01-02_).

- Load(%) is percent of maximum output current.

1. DERATING CURVE



2. BASIC CONNECTION



==NOTES==

- *1. Put input capacitors.
C1: 47 μ F
- *2. Put output capacitors.
C2, C3: 1 μ F ceramic capacitor.
- *3. Refer to instruction manual for further details.