

SPECIFICATIONS

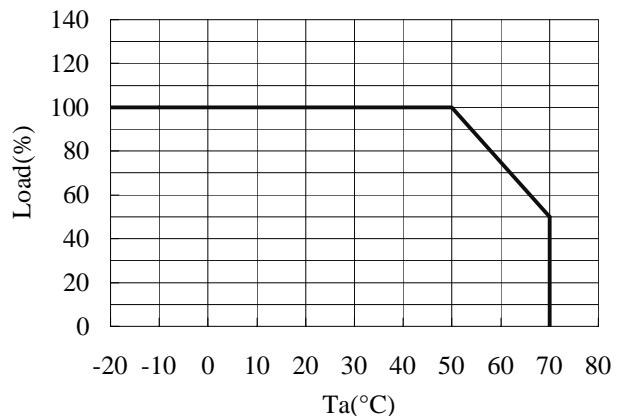
HZC153-01-01

ITEMS		MODEL	PVD1R5-12-1212	
			CH1	CH2
1	Nominal Output Voltage	V	+12	-12
2	Maximum Output Current	A	0.0625	0.0625
3	Maximum Output Power	W	1.5	
4	Efficiency (Typ) (*1)	%	81	
5	Input Voltage Range	VDC	12 (9 - 18)	
6	Input Current (Typ) (*1)	A	0.15	
7	Output Voltage Accuracy (*1)	%	±3	
8	Output Voltage Range (*2)	V	+12 - +15	-12 - -15
9	Maximum Ripple & Noise (*3)	mV	120	120
10	Maximum Line Regulation (*4)	mV	50	50
11	Maximum Load Regulation (*5)	mV	600	600
12	Over Current Protection (*6)	-	Yes	
13	Over Voltage Protection	-	No	
14	Remote ON/OFF Control	-	No	
15	Parallel Operation	-	No	
16	Series Operation	-	No	
17	Operating Temperature (*7)	°C	-20 - +70	
18	Operating Humidity	%RH	30 - 90 (No dewdrop)	
19	Storage Temperature	°C	-30 - +85	
20	Storage Humidity	%RH	10 - 95 (No dewdrop)	
21	Cooling	-	Convection Cooled	
22	Temperature Coefficient	%/°C	0.02	
23	Withstand Voltage	-	Input - Output ... 500VAC 1min. (5mA)	
24	Isolation Resistance	-	More than 100Mohm at 25°C and 70% RH Input - Output ... 500VDC	
25	Vibration	-	At no operation, 10 - 55 - 10Hz (sweep for 1min.) amplitude 1.5mm constant (maximum 88.3m/s ² X, Y, Z 2h each)	
26	Shock	m/s ²	196.1	
27	Weight (Typ)	g	3	
28	Size (W x H x D)	mm	28.5 x 18 x 8.5 (Refer to Outline Drawing)	

= NOTES =

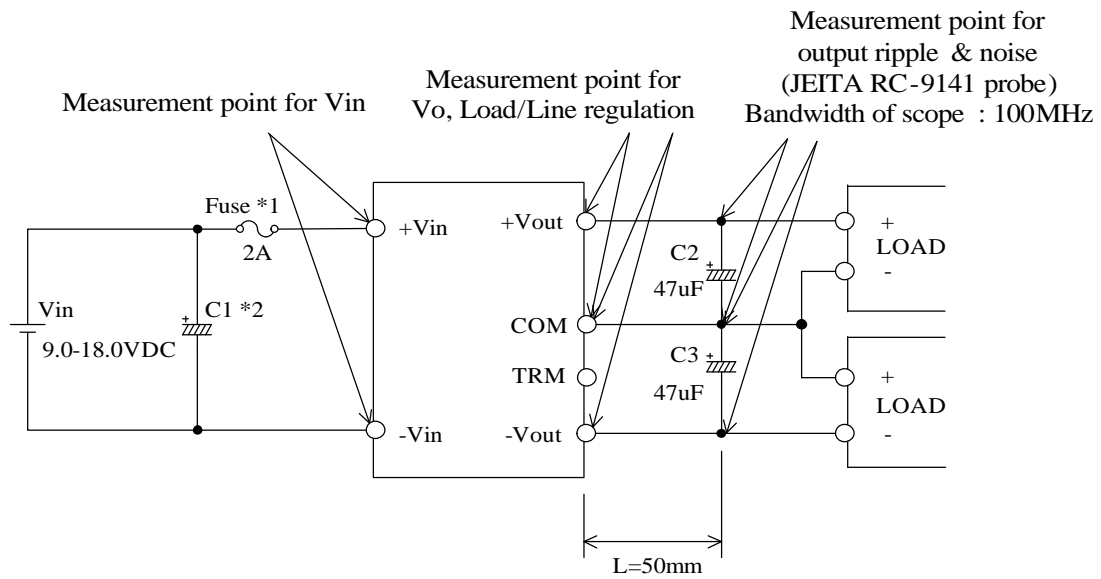
- *1 : At 12VDC input and maximum output power.
- *2 : Refer to instruction manual.
- *3 : Measured with JEITA RC-9141 probe,
Bandwidth of scope : 100MHz.
- *4 : From 9 to 18VDC input and constant load.
- *5 : From No load to Full load (balanced load)
and constant input voltage.
- *6 : Output current limiting with automatic recovery.
Avoid the operation longer than 30sec. with over load.
- *7 : Rating - Refer to derating curve on the right.
- Load (%) is percentage of
maximum output power.
- *8 : External fuse use is recommended for the operation.

Output Derating Curve



BASICAL CONNECTION

HZC153-01-02



Value of I^2t (typ) 0.003 (A^2s)

NOTE

*1 : External fuse use is recommended for the operation.

*2 : When the input line impedance is high, insert input capacitor C1 more than 47uF.
(Refer to instruction manual.)

*3 : Refer to instruction manual for further details.