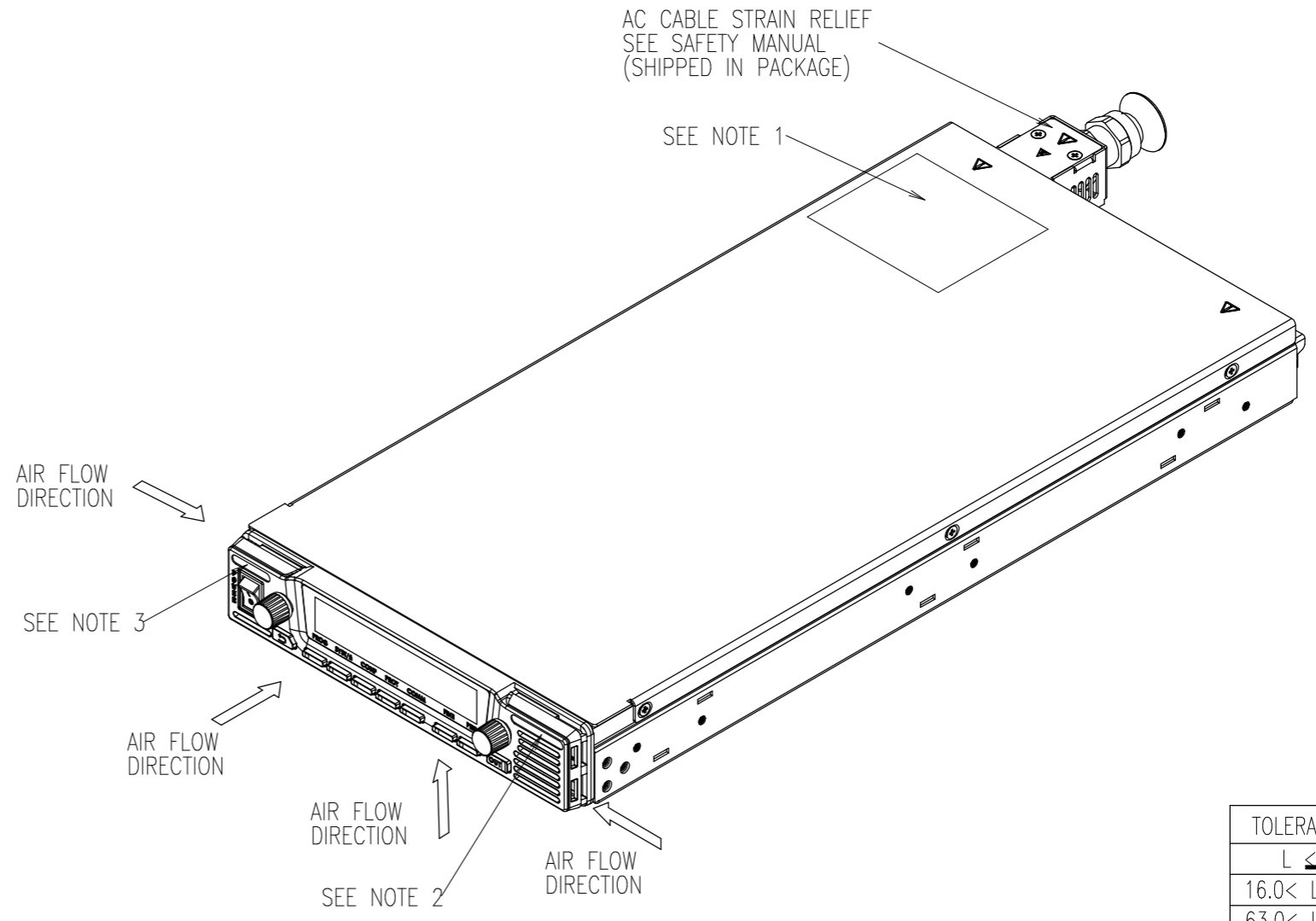
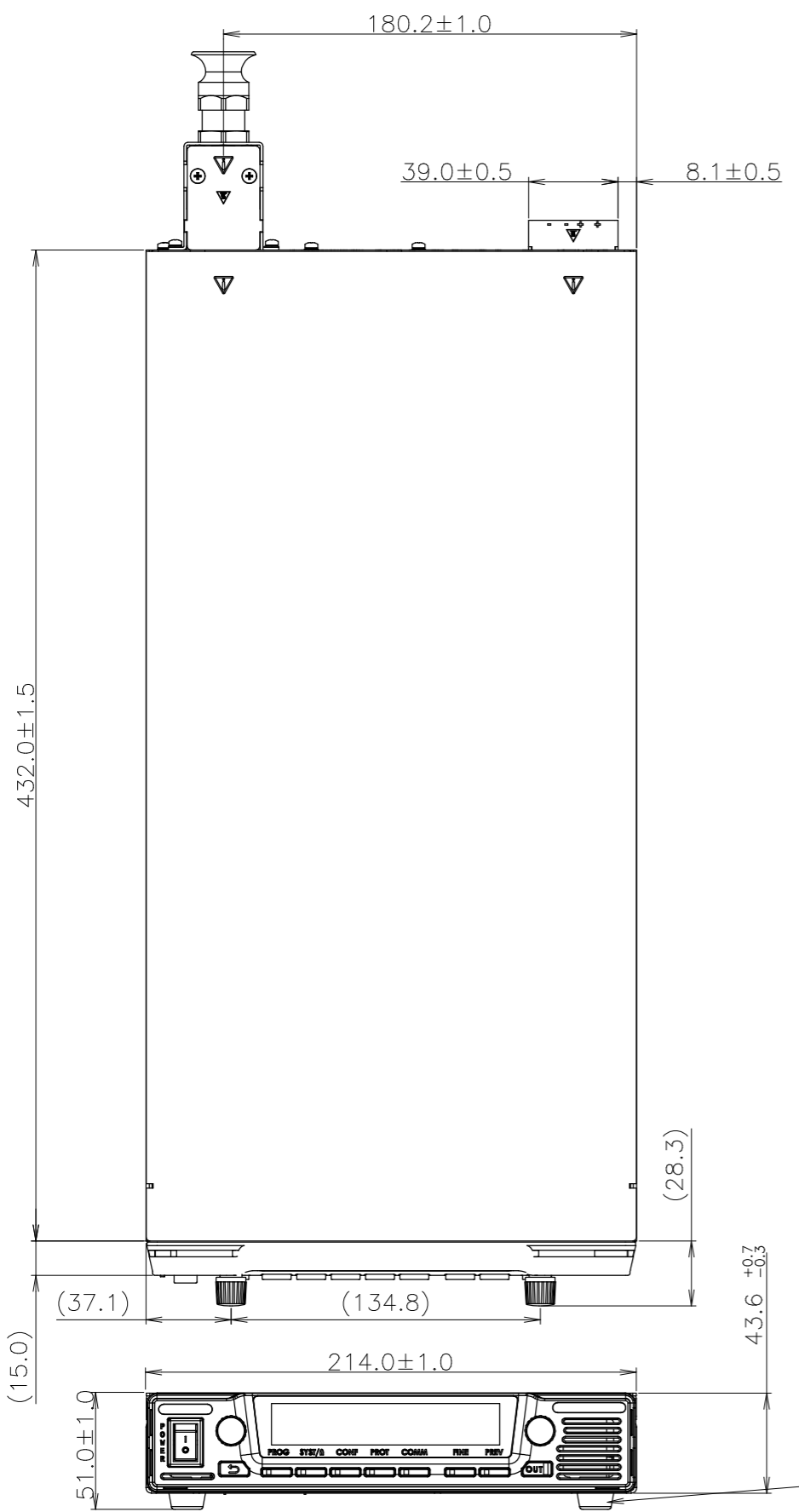
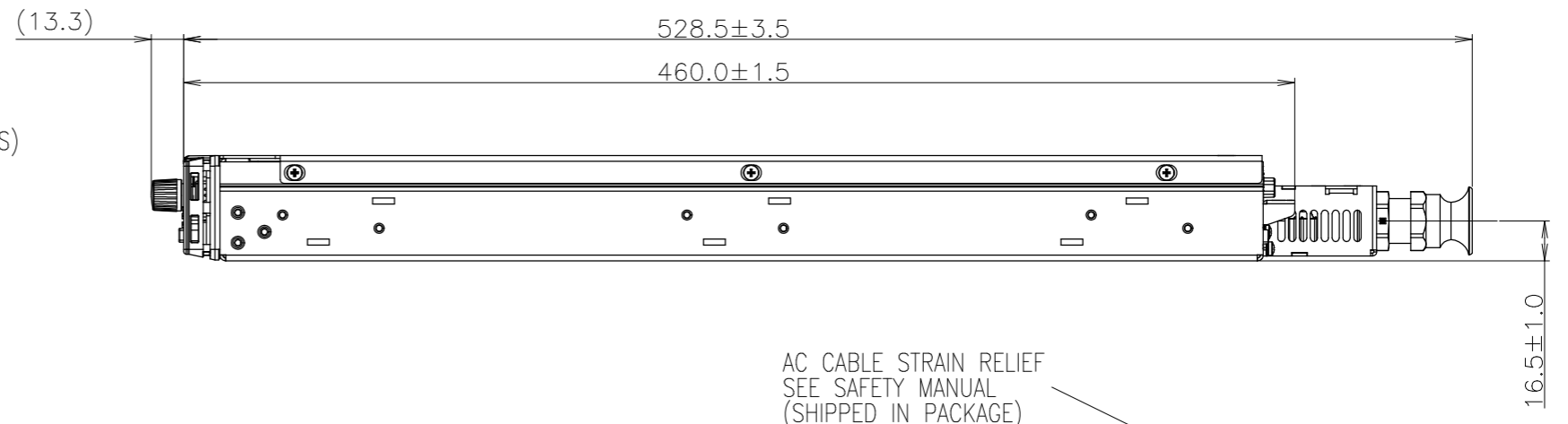
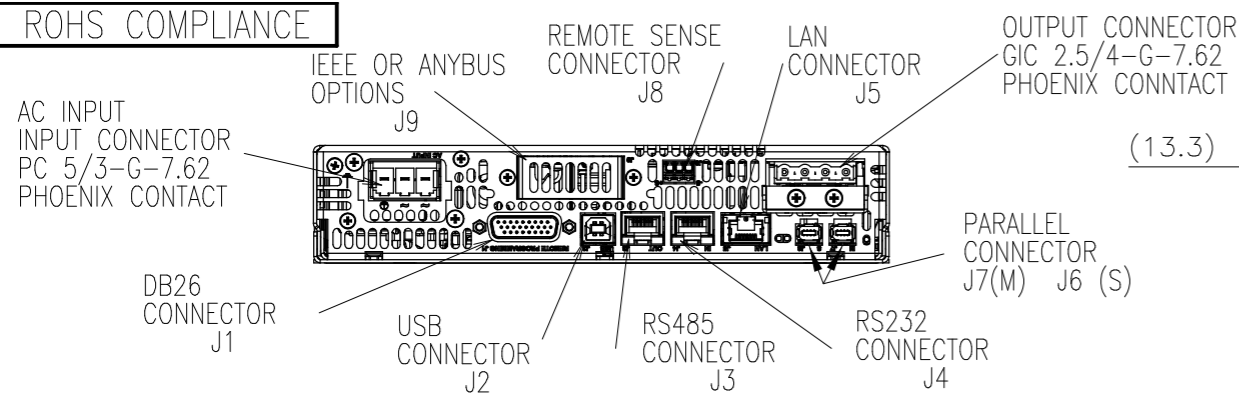


ROHS COMPLIANCE



| TOLERANCES/± | |
|----------------------|-------|
| L ≤ 16.0mm | 0.1 |
| 16.0 < L ≤ 63.0mm | 0.2 |
| 63.0 < L ≤ 250.0mm | 0.3 |
| 250.0 < L ≤ 1000.0mm | 0.5 |
| 1000 < L | 0.8 |
| ANGLE | ±0.5° |

- NOTES :**
1. AC INPUT RATING , SAFETY APPROVAL SYMBOLS AND EU REPRESENTATIVE LABEL ARE SHOWN HERE ACCORDING TO THE SPECIFICATIONS.
 2. MODEL NAME AND OUTPUT RATING ARE SHOWN HERE ACCORDING TO THE SPECIFICATIONS.
 3. COMPANY LOGO IS SHOWN HERE .

4 FOOT SNAPS SHIPPED IN PACKAGE

(unit : mm)

| | |
|-------------------|-------|
| MODEL NAME | GH HV |
| TDK-Lambda | |

IA762-02-02B