

GSP 15kW/10kW

EN61000

DATA

DWG: IA852-58-01		
APPD	CHK	DWG
Yaniv 19/11/18	Yaniv 19/11/18	MICHAEL G. 19.11.2018

INDEX	PAGE
1. Electro-Static Discharge Test EN61000-4-2	R-1
2. Radiated Susceptibility Test EN61000-4-3.....	R-2
3. Electrical Fast Transient Burst Test EN61000-4-4.....	R-3
4. Surge Test EN61000-4-5.....	R-4
5. Conducted Susceptibility Test EN61000-4-6.....	R-5

The above data is typical value.

The values are considered to be actual capability data.

1-2 List of equipment used

EQUIPMENT USED		MANUFACTURER	MODEL No.
1	Storage oscilloscope	Yokogawa	DL7100
2	Storage oscilloscope	Yokogawa	DL1740
3	Digital multimeter	HP	34401A
4	Digital power meter	Yokogawa	WT130
5	Digital power meter	Yokogawa	WT230
6	Digital power meter	Yokogawa	WT330
7	Autotransformer	Metrel	HSN 260/30
8	Autotransformer	Metrel	HTN 450/20
9	Resistive load	NLI	10V
10	Resistive load	NLI	600V
11	AC source	Chroma	6590
12	ESD simulator system	NOISEKEN	ESS2000
13	EFT/B Generator	TESEQ	NSG3060
14	Surge Generator	TESEQ	NSG3060 CDN3063
15	RF Signal Generator 150kHz-230MHz	SCHLODER	CDG-6000
16	Coupling/Decoupling Network	COMPOWER	ATTN-6-100W
17	Coupling/Decoupling Network	SCHLODER	CDN-RJ45-S
18	Coupling/Decoupling Network	SCHLODER	CDN-M4-32A
19	Current Injection Probe	FISCHER	F-120-9A
20	Anechoic test chamber	Hermon Labs	AC-2
21	Antenna,biconical, 20-300MHz,1kW	A.H.Systems inc.	SAS-200/543
22	Antenna,1-18GHz,300W	EMC Test Systems	3115
23	RF signal generator,10kHz-1.05GHz	Fluke	6061A
24	Monitor,field,10kHz-1GHz,1-300V/m	Amplifier Research	FM1000
25	Coupling-decoupling network according	Hermon Labs	50141S1
26	RF amplifier,500MHz -1000MHz,120W	Hermon Labs	A-120
27	RF amplifier,1 to 4 GHz,55W	Milmega	AS 0104-55/55
28	RF power meter	Boonton	4200

2. Radiated immunity to radio frequency electromagnetic field (IEC 61000-4-3; EN 61204-3/ IEC 61204-3)

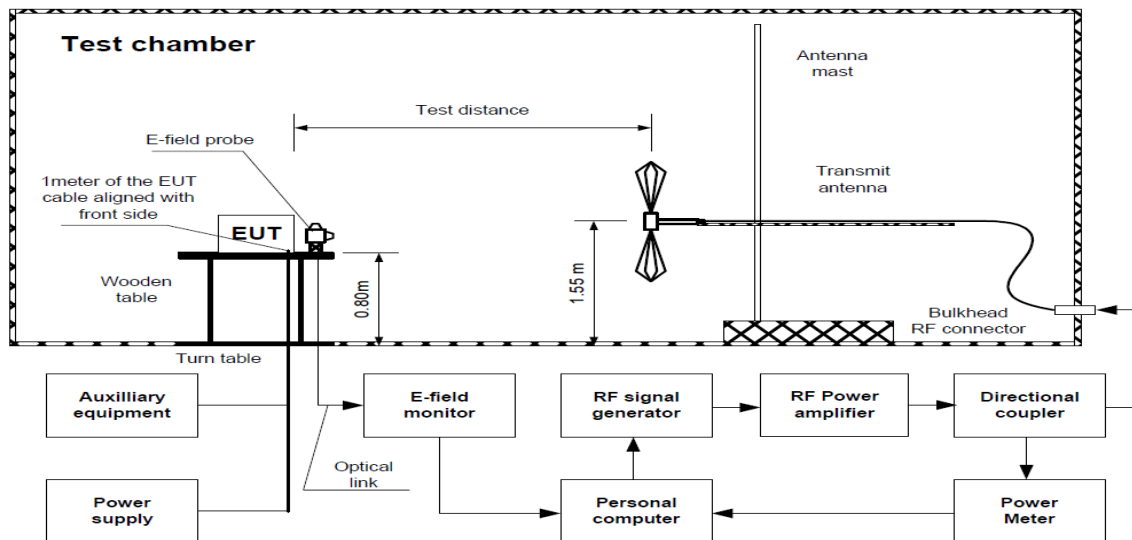
(1) Equipment used:

Anechoic test chamber
 Antenna, biconical, high power 20-300MHz, 1kW
 Antenna, double-ridged waveguide horn, 1-18GHz, 300W
 Synthesized RF signal generator, 10kHz-1.05GHz
 Monitor, field, 10kHz-1GHz, 1-300V/m, w/fiberoptic
 Coupling-decoupling network according to ENV 50141 (S1)
 RF amplifier, 500MHz to 1000MHz, 120W
 RF amplifier, 1 to 4 GHz, 55W
 RF power meter

Hermon Labs AC-2
 A.H.Systems inc. SAS-200/543
 EMC Test Systems 3115
 Fluke 6061A
 Amplifier Research FM1000
 Hermon Labs 50141S1
 Hermon Labs A-120
 Milmega AS 0104-55/55B
 Boonton 4200

(2) Test conditions and test setup:

Input voltage:	Rated	Output voltage:	Rated
Output current:	100%	Amplitude Modulated:	80%, 1kHz
Electromagnetic Frequency:	80~2700MHz	Ambient temperature:	25°C
Sweep Condition:	1.5 x 10 ⁻³ Decade/Second, 1.0 Second Hold		



(3) Acceptable conditions:

1. Output voltage regulation not to exceed ± 5% of initial (before test) value during test.
2. Output voltage to be within regulation specification after the test.
3. Along with 1 and 2, no discharge of fire or smoke, as well as no output failure.

(4) Test Result:

Frequency (GHz)	Radiated Field Strength (Vrms/m)	GSP10-1500	GSP600-25.5
0.08-1	10	PASS	PASS
1.4-2	3	PASS	PASS
2-2.7	1	PASS	PASS

3. Eelectrical fast transient/ burst (EFT/ B) (IEC 61000-4-4; EN 61204-3/ IEC 61204-3)

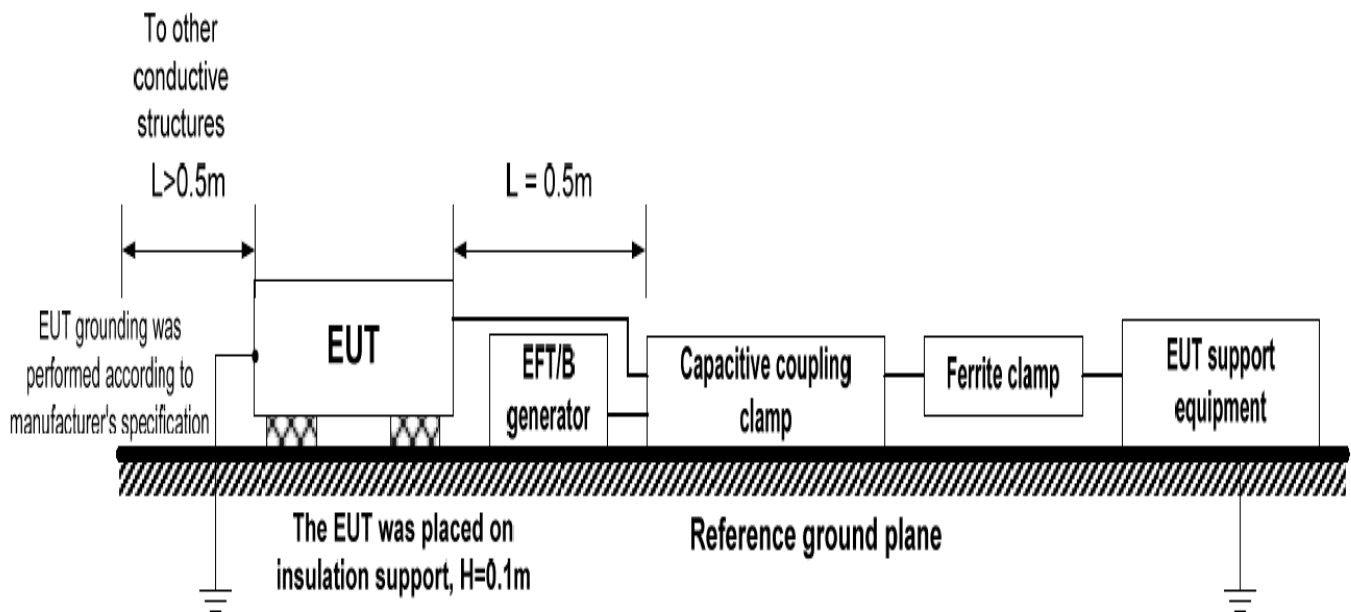
(1) Equipment used:

EFT/B Generator: TESEQ NSG3060

(2) Test conditions:

Input voltage:	Rated	Output voltage:	Rated
Output current:GSP10-1500	67%	Test time:	1minute
Output current:GSP600-25.5	100%	Test time:	1minute
Polarity:	-,+	Ambient temperature:	25°C
Number of tests:	3 times		

(3) Test setup



(4) Acceptable conditions:

1. Output voltage regulation not to exceed $\pm 5\%$ of initial (before test) value during test.
2. Output voltage to be within regulation specification after the test.
3. Along with 1 and 2, no discharge of fire or smoke, as well as no output failre.

(5) Test result:

Test Voltage (kV)	Repetition Rate (kHz)	GSP10-1500	GSP600-25.5
2	5	PASS	PASS
2	100	PASS	PASS

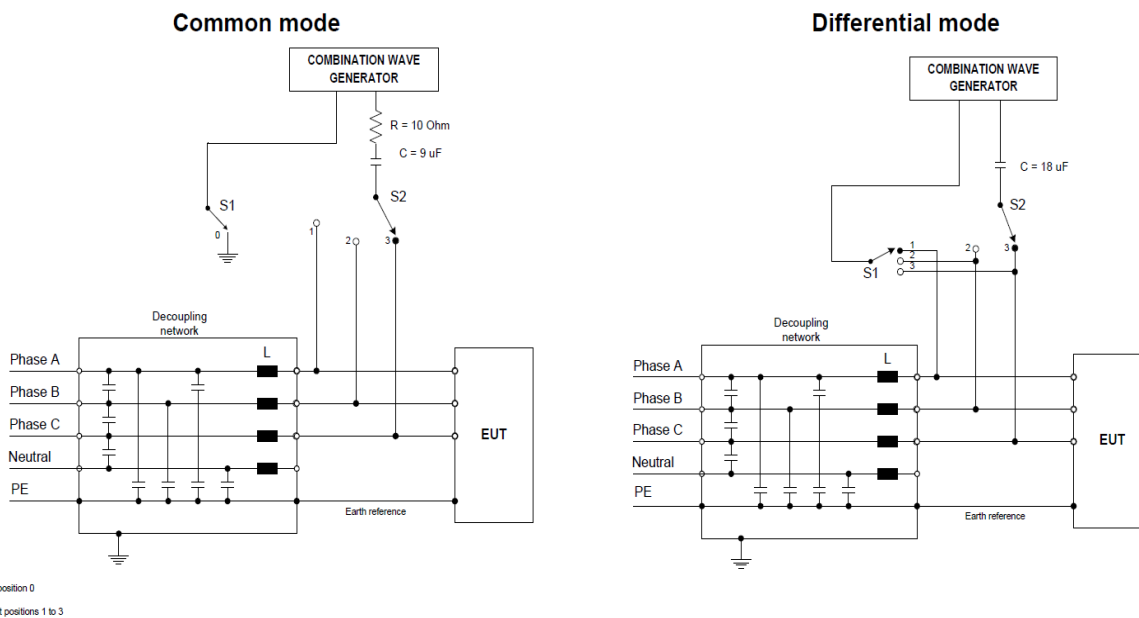
4. Conducted immunity to voltage surges (IEC 61000-4-5; EN 61204-3/ IEC 61204-3)

(1) Equipment used:

Surge Generator: TESEQ - NSG3060 CDN3063
 Coupling impedance: Common - 12 OHm
 Normal - 2 OHm
 Coupling capacitance: Common - 9uF
 Normal - 18uF
 Coupling network: SCHLODER - CDN-M4-32A

(2) Test conditions and test setup:

Input voltage:	Rated	Output voltage:	Rated
Output current:GSP10-1500	67%	Number of tests:	5 times
Output current:GSP600-25.5	100%	Number of tests:	5 times
Polarity:	-,+	Mode:	Common, Normal
Phase:	0,90 DEG.	Ambient temperature:	25°C



(3) Acceptable conditions:

1. Output voltage regulation not to exceed $\pm 5\%$ of initial (before test) value during test.
2. Output voltage to be within regulation specification after the test.
3. Along with 1 and 2, no discharge of fire or smoke, as well as no output failure.

(4) Test Result:

Test Voltage (kV)	GSP10-1500	GSP600-25.5	Test Voltage (kV)	GSP10-1500	GSP600-25.5
Common			Normal		
2.0	PASS	PASS	1.0	PASS	PASS

5. Conducted immunity to disturbances by radio frequency field (IEC 61000-4-6; EN 61204-3/ IEC 61204-3)

(1) Equipment used:

RF Signal Generator 150kHz-230MHz
Coupling/Decoupling Network
Coupling/Decoupling Network

SCHLODER CDG-6000
SCHLODER CDN-RJ45-S
SCHLODER CDN-M4-32A

(2) Test condition:

Ambient temperature: 25°C

Input voltage:

Output current:GSP10-1500

Output current:GSP600-25.5

Output voltage:

Rated

67%

100%

Rated

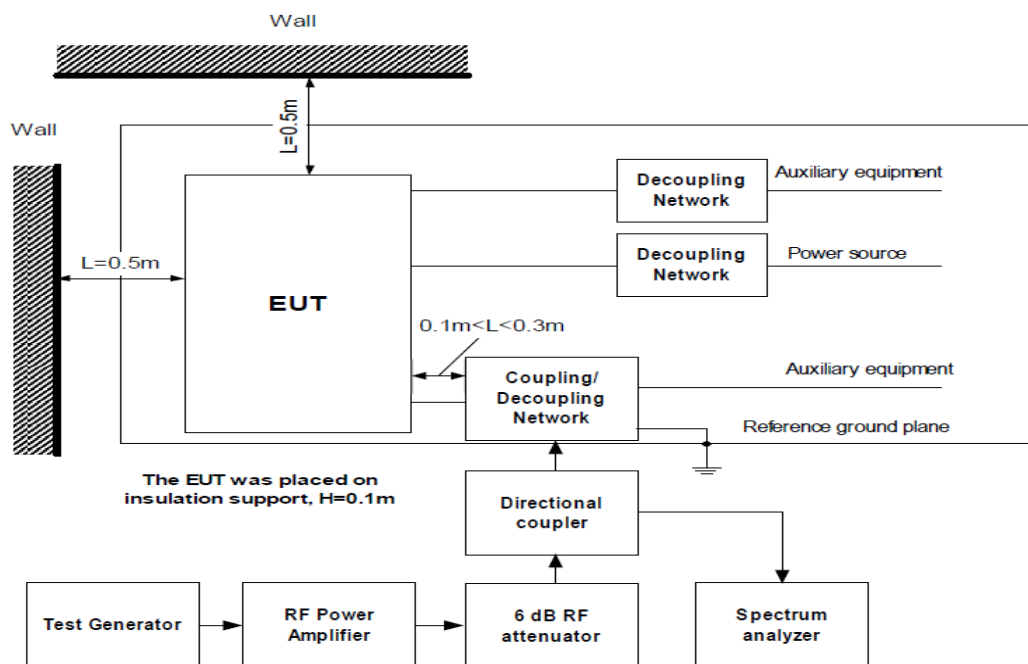
Freq. range: 0.15 ~ 80MHz

Type of modulation: AM 80% @ 1kHz

DWELL Time: 2.8s

Freq. step: 1% of current freq.

(3) Test setup:



(4) Acceptable conditions:

1. Output voltage regulation not to exceed $\pm 5\%$ of initial (before test) value during test.
2. Output voltage to be within regulation specification after the test.
3. Along with 1 and 2, no discharge of fire or smoke, as well as no output failure.

(5) Test result:

Voltage Level (Vrms)	GSP10-1500	GSP600-25.5
10	PASS	PASS