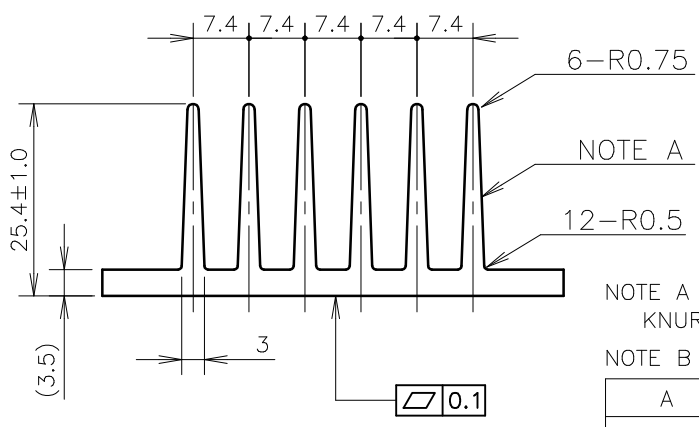
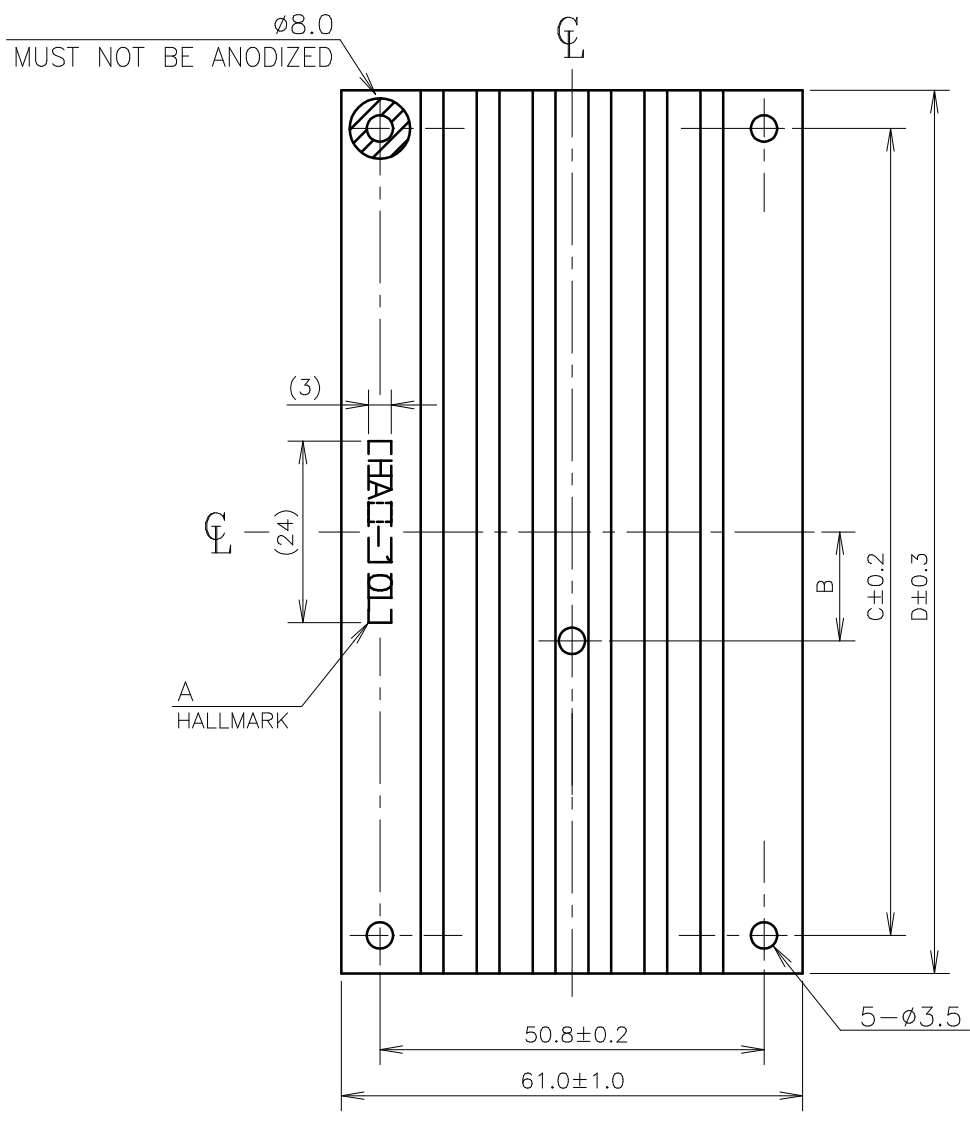


Unless otherwise specified dimensional tolerance as follows:

DIMENSION (mm)	TOLERANCE ±mm
1-16	0.1
16.1-63	0.2
63.1-250	0.3
250.1-1000	0.5



NOTE A  
KNURLING ON FIN

NOTE B

	A	B	C	D
HAF-10L	14.4mm	106.7mm	116.8mm	
HAH-10L	0.0mm	48.3mm	57.9mm	

(unit : mm)

MODEL NAME	HAF-10L HAH-10L
<b>TDK-Lambda</b>	