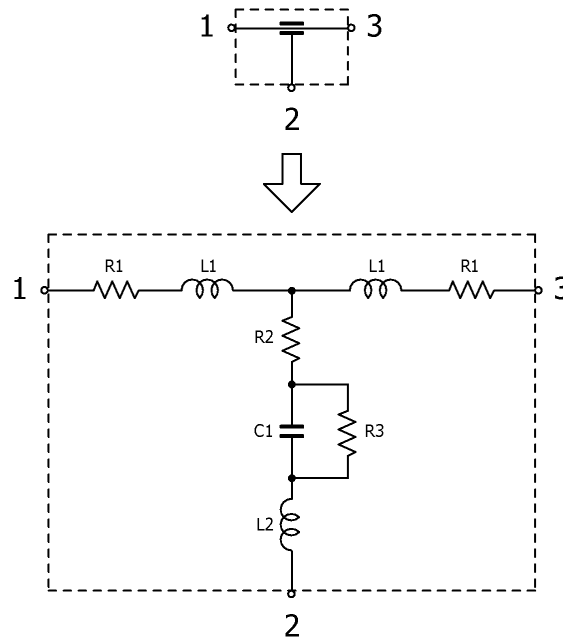


## 3-terminal Filters

May 23, 2024  
Simple Model

Automotive Grade for General Use / YFF18AC series (1/2)

### Circuit Diagram



### Circuit Parameters

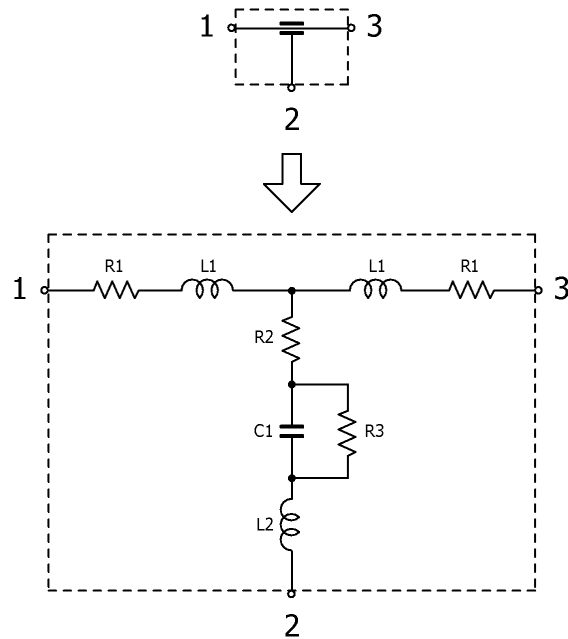
Part No.	C1[pF]	L1[nH]	L2[nH]	R1[ohm]	R2[ohm]	R3[Gohm]
YFF18AC1A105MT0Y0E	856,000	0.177	0.026	0.0042	0.0088	0.100
YFF18AC0G106MT0YHE	7,040,000	0.121	0.031	0.0008	0.0047	0.0100
YFF18AC0G475MT0Y0E	3,830,000	0.128	0.027	0.0016	0.0055	0.0213
YFF18AC0J105MT0Y0E	856,000	0.177	0.026	0.0042	0.0088	0.100
YFF18AC0J105MT0Y9E	856,000	0.177	0.026	0.0042	0.0088	0.100
YFF18AC1C104MT0Y0N	100,000	0.136	0.019	0.0049	0.0233	1.00
YFF18AC1C104MT0Y9N	100,000	0.136	0.019	0.0049	0.0233	1.00
YFF18AC1E223MT0Y0N	21,200	0.100	0.019	0.0089	0.0579	10.0
YFF18AC1E223MT0Y9N	21,200	0.100	0.019	0.0089	0.0579	10.0
YFF18AC1H103MT0Y0N	8,650	0.128	0.021	0.0152	0.0815	10.0
YFF18AC1H103MT0Y9N	8,650	0.128	0.021	0.0152	0.0815	10.0
YFF18AC1H472MT0Y0N	4,690	0.113	0.040	0.0191	0.0434	10.0
YFF18AC1H472MT0Y9N	4,690	0.113	0.040	0.0191	0.0434	10.0
YFF18AC1H222MT0Y0N	2,080	0.166	0.040	0.0135	0.0756	10.0
YFF18AC1H222MT0Y9N	2,080	0.166	0.040	0.0135	0.0756	10.0
YFF18AC1H102MT0Y0N	1,030	0.154	0.040	0.0196	0.1300	10.0
YFF18AC1H102MT0Y9N	1,030	0.154	0.040	0.0196	0.1300	10.0
YFF18AC1H471MT0Y0N	472	0.154	0.045	0.0116	0.0275	10.0
YFF18AC1H471MT0Y9N	472	0.154	0.045	0.0116	0.0275	10.0
YFF18AC1H221MT0Y0N	216	0.079	0.051	0.0158	0.0384	10.0
YFF18AC1H221MT0Y9N	216	0.079	0.051	0.0158	0.0384	10.0
YFF18AC1H101MT0Y0N	104	0.112	0.050	0.0198	0.0507	10.0
YFF18AC1H101MT0Y9N	104	0.112	0.050	0.0198	0.0507	10.0
YFF18AC1H470MT0Y0N	51.2	0.136	0.040	0.0349	0.0811	10.0

## 3-terminal Filters

May 23, 2024  
Simple Model

Automotive Grade for General Use / YFF18AC series (2/2)

### Circuit Diagram



### Circuit Parameters

Part No.	C1[pF]	L1[nH]	L2[nH]	R1[ohm]	R2[ohm]	R3[Gohm]
YFF18AC1H470MT0Y9N	51.2	0.136	0.040	0.0349	0.0811	10.0
YFF18AC1H220MT0Y0N	25.2	0.115	0.040	0.0459	0.1392	10.0
YFF18AC1H220MT0Y9N	25.2	0.115	0.040	0.0459	0.1392	10.0