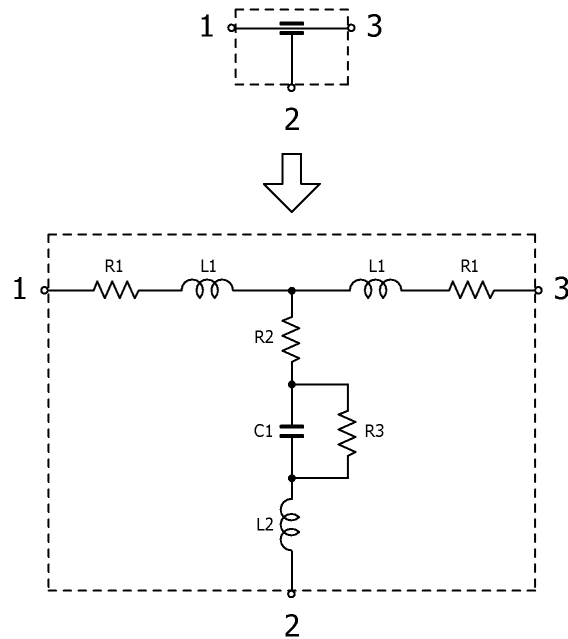


## 3-terminal Filters

May 23, 2024  
Simple Model

Automotive Grade for Power Line / YFF15AC series

### Circuit Diagram



### Circuit Parameters

Part No.	C1[pF]	L1[nH]	L2[nH]	R1[ohm]	R2[ohm]	R3[Gohm]
YFF15AC0J105MT0Q0E	670,000	0.081	0.017	0.0027	0.0083	0.100
YFF15AC0G105MT0Q0N	670,000	0.081	0.017	0.0027	0.0083	0.100