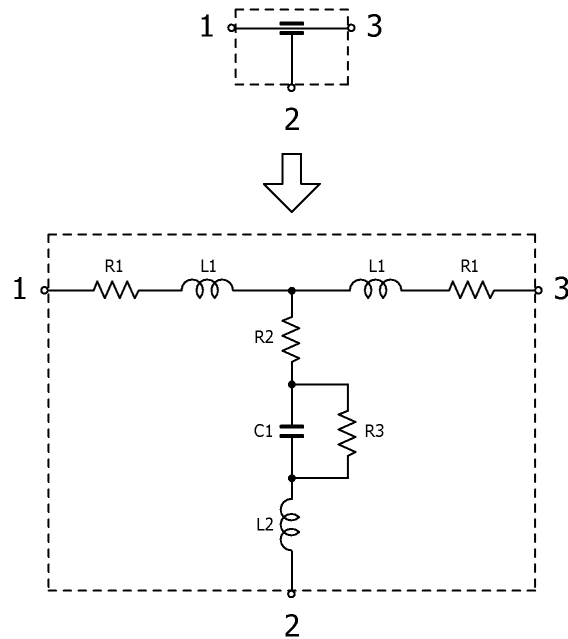


3-Terminal Filters

Jan. 12, 2024
Simple Model

Automotive Grade for Power Line / YFF31AH series

Circuit Diagram



Circuit Parameters

Part No.	C1[μ F]	L1[nH]	L2[nH]	R1[ohm]	R2[ohm]	R3[Gohm]
YFF31AH2A104MT0Y0N	109,000	0.161	0.017	0.0008	0.0246	5.00
YFF31AH2A104MT0Y9N	109,000	0.161	0.017	0.0008	0.0246	5.00
YFF31AH2A105MT0Y0N	955,000	0.156	0.013	0.0016	0.0111	0.500
YFF31AH2A105MT0Y9N	955,000	0.156	0.013	0.0016	0.0111	0.500