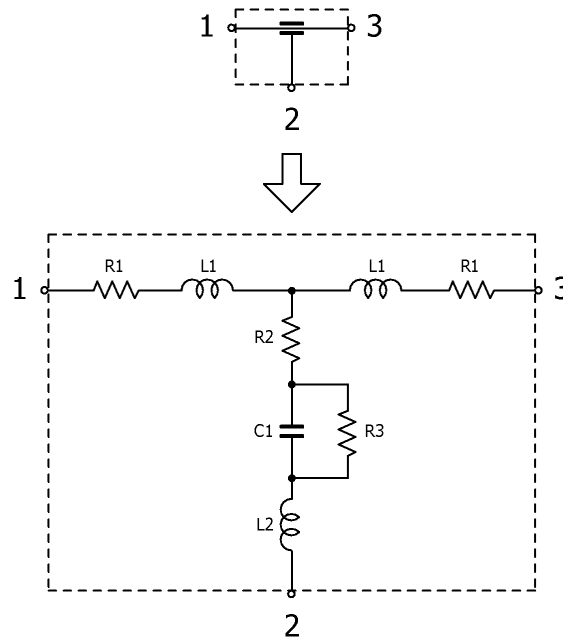


3-terminal Filters

May 23, 2024
Simple Model

Commercial Grade for Power Line / YFF15PC series

Circuit Diagram



Circuit Parameters

Part No.	C1[pF]	L1[nH]	L2[nH]	R1[ohm]	R2[ohm]	R3[Gohm]
YFF15PC1C104MT000N	95,300	0.123	0.019	0.0114	0.0160	1.00
YFF15PC1C104MT009N	95,300	0.123	0.019	0.0114	0.0160	1.00
YFF15PC1A224MT000N	187,000	0.104	0.016	0.0070	0.0128	0.455
YFF15PC1A224MT009N	187,000	0.104	0.016	0.0070	0.0128	0.455
YFF15PC0J474MT000N	394,000	0.078	0.018	0.0037	0.0094	0.213
YFF15PC0J474MT009N	394,000	0.078	0.018	0.0037	0.0094	0.213
YFF15PC0G105MT000N	777,000	0.078	0.015	0.0026	0.0075	0.100
YFF15PC0G105MT009N	777,000	0.078	0.015	0.0026	0.0075	0.100
YFF15PC0J105MT000N	777,000	0.078	0.015	0.0026	0.0075	0.100
YFF15PC0J105MT009N	777,000	0.078	0.015	0.0026	0.0075	0.100
YFF15PC0J105MT0A0E	670,000	0.081	0.017	0.0027	0.0083	0.100
YFF15PC0G435MT000N	2,870,000	0.083	0.016	0.0025	0.0046	0.0233
YFF15PC0G435MT009N	2,870,000	0.083	0.016	0.0025	0.0046	0.0233