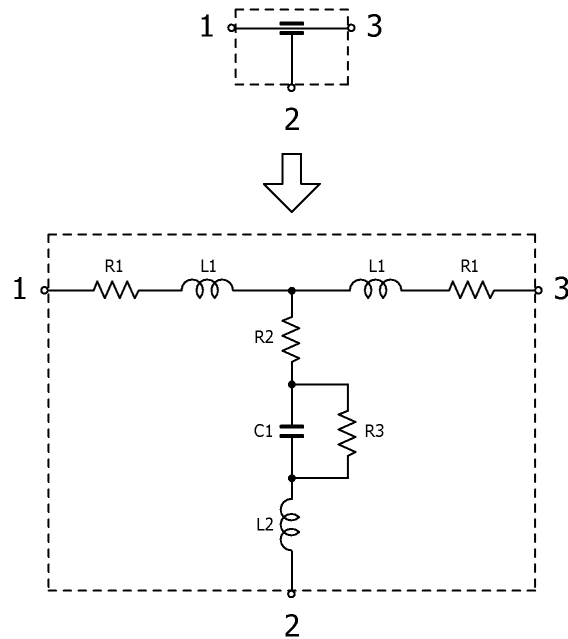


3-Terminal Filters

Jan. 12, 2024
Simple Model

Commercial Grade for Power Line / YFF18PH series

Circuit Diagram



Circuit Parameters

Part No.	C1[pF]	L1[nH]	L2[nH]	R1[ohm]	R2[ohm]	R3[Gohm]
YFF18PH0J105MT000N	922,000	0.117	0.022	0.0017	0.0105	0.100
YFF18PH0J105MT009N	922,000	0.117	0.022	0.0017	0.0105	0.100
YFF18PH0J225MT000N	1,860,000	0.112	0.020	0.0015	0.0075	0.0455
YFF18PH0J225MT009N	1,860,000	0.112	0.020	0.0015	0.0075	0.0455
YFF18PH0J106MT00HE	7,040,000	0.121	0.031	0.0008	0.0047	0.0100