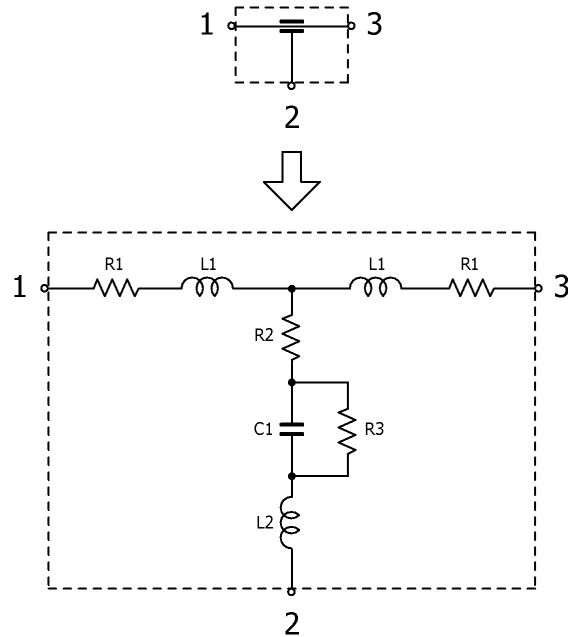


3-Terminal Filters

Jan. 12, 2024
Simple Model

Commercial Grade for Power Line / YFF31HC series

Circuit Diagram



Circuit Parameters

Part No.	C1[pF]	L1[nH]	L2[nH]	R1[ohm]	R2[ohm]	R3[Gohm]
YFF31HC1H153MT000N	14,800	0.147	0.016	0.0003	0.0709	10.0
YFF31HC1H153MT009N	14,800	0.147	0.016	0.0003	0.0709	10.0
YFF31HC2A103MT000N	10,900	0.162	0.017	0.0005	0.0915	10.0
YFF31HC2A103MT009N	10,900	0.162	0.017	0.0005	0.0915	10.0
YFF31HC2A104MT000N	109,000	0.161	0.017	0.0008	0.0246	5.00
YFF31HC2A104MT009N	109,000	0.161	0.017	0.0008	0.0246	5.00
YFF31HC2A105MT000N	955,000	0.156	0.013	0.0016	0.0111	0.500
YFF31HC2A105MT009N	955,000	0.156	0.013	0.0016	0.0111	0.500