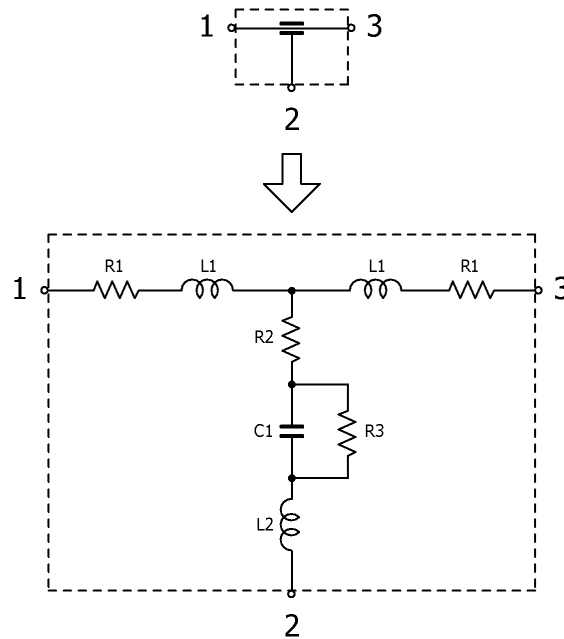


3-terminal Filters

May 23, 2024
Simple Model

Commercial Grade for Power Line / YFF31PC series

Circuit Diagram



Circuit Parameters

Part No.	C1[pF]	L1[nH]	L2[nH]	R1[ohm]	R2[ohm]	R3[Gohm]
YFF31PC1C224MT000N	221,000	0.425	0.045	0.0105	0.0105	0.455
YFF31PC1C224MT009N	221,000	0.425	0.045	0.0105	0.0105	0.455
YFF31PC1C474MT000N	460,000	0.359	0.037	0.0050	0.0085	0.213
YFF31PC1C474MT009N	460,000	0.359	0.037	0.0050	0.0085	0.213
YFF31PC0J226MTJ00N	17,800,000	0.232	0.033	0.0011	0.0025	0.00455
YFF31PC1C105MT000N	981,000	0.245	0.028	0.0024	0.0099	0.100
YFF31PC1C105MT009N	981,000	0.245	0.028	0.0024	0.0099	0.100