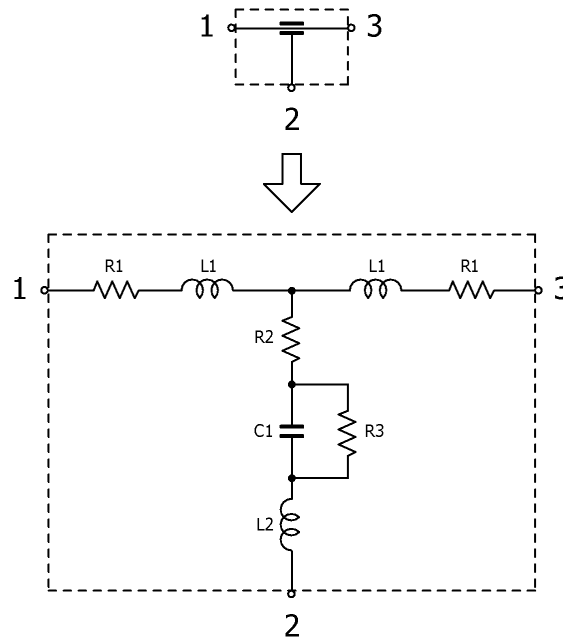


3-Terminal Filters

Jan. 12, 2024
Simple Model

Commercial Grade for Signal Line / YFF15SC series

Circuit Diagram



Circuit Parameters

Part No.	C1[pF]	L1[nH]	L2[nH]	R1[ohm]	R2[ohm]	R3[Gohm]
YFF15SC1C473MT000N	43,200	0.090	0.017	0.0085	0.0246	2.13
YFF15SC1C473MT009N	43,200	0.090	0.017	0.0085	0.0246	2.13
YFF15SC1C223MT000N	18,500	0.101	0.017	0.0149	0.0400	4.55
YFF15SC1C223MT009N	18,500	0.101	0.017	0.0149	0.0400	4.55
YFF15SC1E103MT000N	9,490	0.091	0.019	0.0179	0.0469	10.0
YFF15SC1E103MT009N	9,490	0.091	0.019	0.0179	0.0469	10.0
YFF15SC1E472MT000N	4,530	0.147	0.026	0.0372	0.0410	10.0
YFF15SC1E472MT009N	4,530	0.147	0.026	0.0372	0.0410	10.0
YFF15SC1E222MT000N	1,900	0.090	0.025	0.0130	0.0780	10.0
YFF15SC1E222MT009N	1,900	0.090	0.025	0.0130	0.0780	10.0
YFF15SC1E102MT000N	1,010	0.105	0.020	0.0179	0.1138	10.0
YFF15SC1E102MT009N	1,010	0.105	0.020	0.0179	0.1138	10.0
YFF15SC1E471MT000N	429	0.102	0.019	0.0443	0.1793	10.0
YFF15SC1E471MT009N	429	0.102	0.019	0.0443	0.1793	10.0
YFF15SC1H221MT000N	224	0.102	0.030	0.0163	0.0602	10.0
YFF15SC1H221MT009N	224	0.102	0.030	0.0163	0.0602	10.0
YFF15SC1H101MT000N	97.9	0.145	0.030	0.0353	0.0696	10.0
YFF15SC1H101MT009N	97.9	0.145	0.030	0.0353	0.0696	10.0
YFF15SC1H470MT000N	52.6	0.109	0.030	0.0338	0.0946	10.0
YFF15SC1H470MT009N	52.6	0.109	0.030	0.0338	0.0946	10.0
YFF15SC1H220MT000N	24.2	0.124	0.026	0.0614	0.1338	10.0
YFF15SC1H220MT009N	24.2	0.124	0.026	0.0614	0.1338	10.0