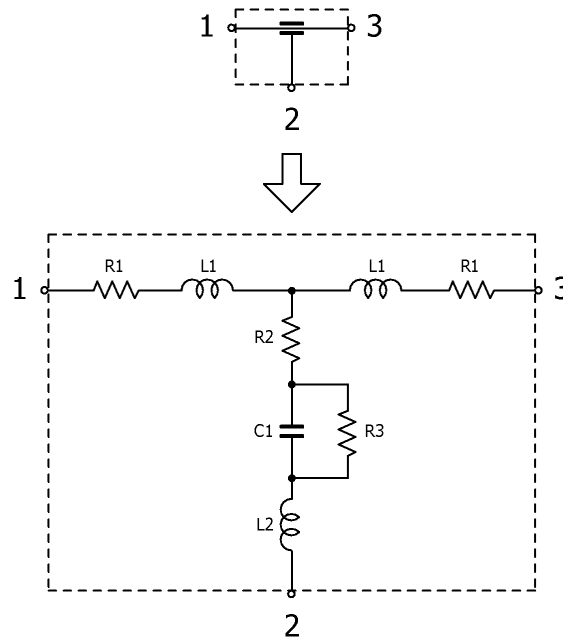


## 3-Terminal Filters

Jan. 12, 2024  
Simple Model

Commercial Grade for Signal Line / YFF18SC series

### Circuit Diagram



### Circuit Parameters

Part No.	C1[pF]	L1[nH]	L2[nH]	R1[ohm]	R2[ohm]	R3[Gohm]
YFF18SC1H223MT0H0N	21,200	0.100	0.019	0.0089	0.0579	10.0
YFF18SC1H223MT0H9N	21,200	0.100	0.019	0.0089	0.0579	10.0
YFF18SC1H103MT0H0N	8,650	0.128	0.021	0.0152	0.0815	10.0
YFF18SC1H103MT0H9N	8,650	0.128	0.021	0.0152	0.0815	10.0
YFF18SC1H472MT0H0N	4,690	0.113	0.040	0.0191	0.0434	10.0
YFF18SC1H472MT0H9N	4,690	0.113	0.040	0.0191	0.0434	10.0
YFF18SC1H222MT0H0N	2,080	0.166	0.040	0.0135	0.0756	10.0
YFF18SC1H222MT0H9N	2,080	0.166	0.040	0.0135	0.0756	10.0
YFF18SC1H102MT0H0N	1,030	0.154	0.040	0.0196	0.1300	10.0
YFF18SC1H102MT0H9N	1,030	0.154	0.040	0.0196	0.1300	10.0
YFF18SC1H471MT0H0N	472	0.154	0.045	0.0116	0.0275	10.0
YFF18SC1H471MT0H9N	472	0.154	0.045	0.0116	0.0275	10.0
YFF18SC1H221MT0H0N	216	0.079	0.051	0.0158	0.0384	10.0
YFF18SC1H221MT0H9N	216	0.079	0.051	0.0158	0.0384	10.0
YFF18SC1H101MT0H0N	104	0.112	0.050	0.0198	0.0507	10.0
YFF18SC1H101MT0H9N	104	0.112	0.050	0.0198	0.0507	10.0
YFF18SC1H470MT0H0N	51.2	0.136	0.040	0.0349	0.0811	10.0
YFF18SC1H470MT0H9N	51.2	0.136	0.040	0.0349	0.0811	10.0
YFF18SC1H220MT0H0N	25.2	0.115	0.040	0.0459	0.1392	10.0
YFF18SC1H220MT0H9N	25.2	0.115	0.040	0.0459	0.1392	10.0