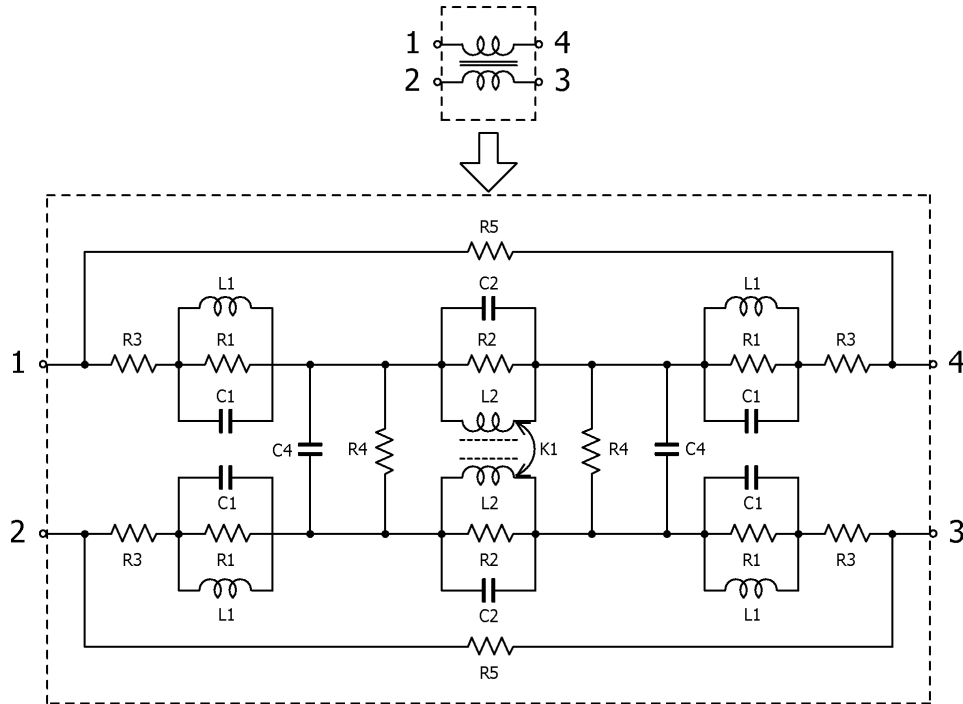


## Power Line Common Mode Chokes/Filters

May 23, 2024  
Simple Model

Automotive Grade for Power Line / ACM12V series

### Circuit Diagram



### Circuit Parameters

Part No.	R1[ohm]	L1[nH]	C1[pF]	R2[ohm]	L2[nH]	C2[pF]	R3[ohm]	R4[Gohm]	C4[pF]	R5[Gohm]	K1
ACM12V-701-2PL-TL00	100	1.0	0.01	1,700	6,330	0.108	0.0015	1	2.43	1	0.93790
ACM12V-172-2PL-TL00	100	1.0	0.01	4,600	16,200	0.150	0.006	1	3.61	1	0.93343