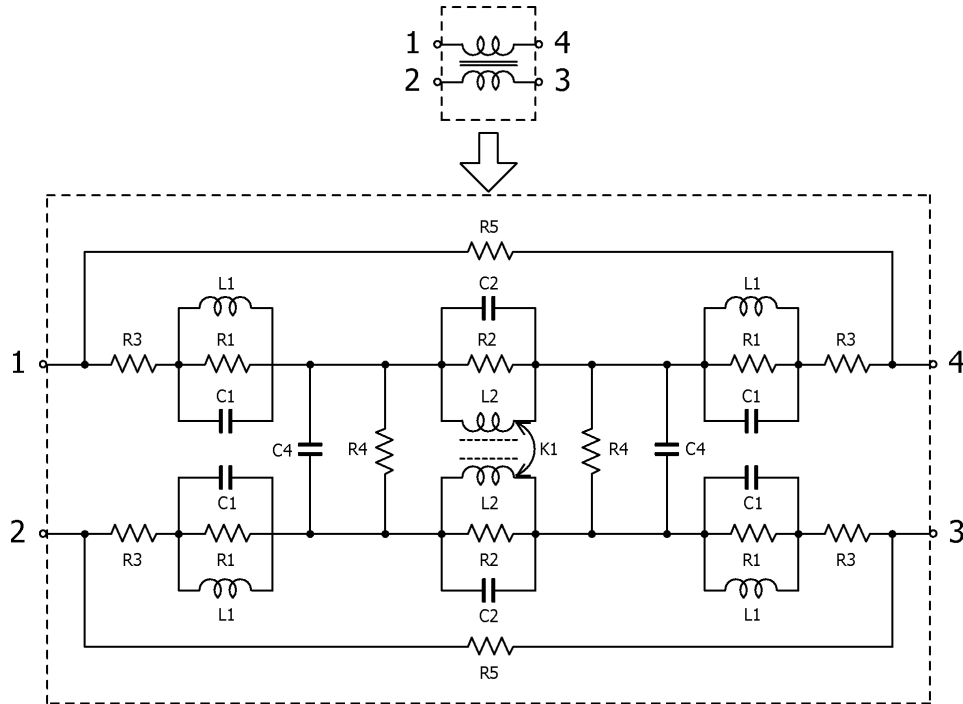


Power Line Common Mode Chokes/Filters

May 23, 2024
Simple Model

Automotive Grade for Power Line / ACM70V series

Circuit Diagram



Circuit Parameters

Part No.	R1[ohm]	L1[nH]	C1[pF]	R2[ohm]	L2[nH]	C2[pF]	R3[ohm]	R4[Gohm]	C4[pF]	R5[Gohm]	K1
ACM70V-701-2PL-TL00	100	1.0	0.01	1,860	5,270	0.074	0.005	1	1.61	1	0.92831