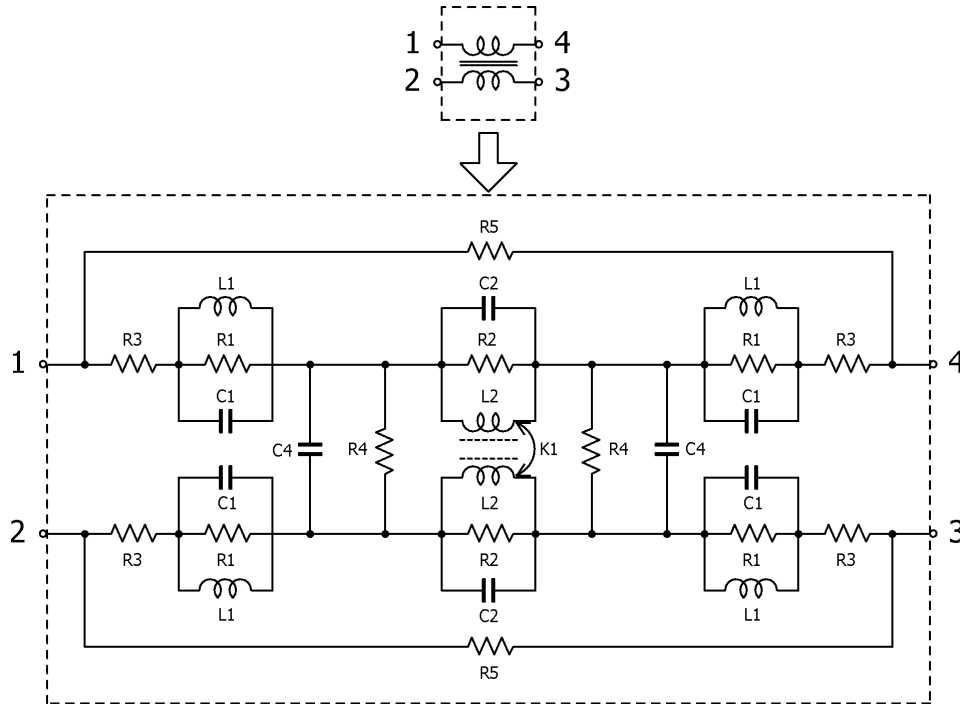


Power Line Common Mode Chokes/Filters

May 23, 2024
Simple Model

Commercial Grade for Power Line / ACM4520 series

Circuit Diagram



Circuit Parameters

Part No.	R1[ohm]	L1[nH]	C1[pF]	R2[ohm]	L2[nH]	C2[pF]	R3[ohm]	R4[Gohm]	C4[pF]	R5[Gohm]	K1
ACM4520-231-2P-T000	91	12.9	0.01	935	545	0.164	0.018	1	1.81	1	1.00000
ACM4520-421-2P-T000	82	18.1	0.01	1,010	1,050	0.464	0.019	1	2.63	1	1.00000
ACM4520-901-2P-T000	9	10.2	0.01	1,460	1,810	0.452	0.018	1	3.49	1	1.00000
ACM4520-142-2P-T000	295	7.9	0.01	2,100	2,980	0.482	0.023	1	4.07	1	1.00000