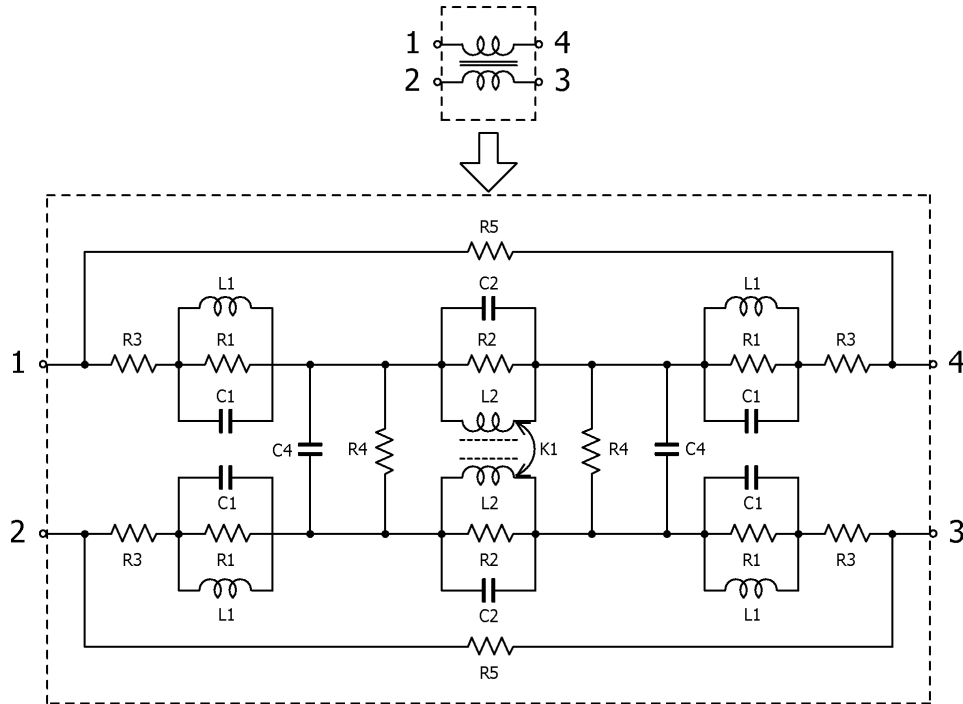


## Power Line Common Mode Chokes/Filters

May 23, 2024  
Simple Model

Commercial Grade for Power Line / ACM7060 series

### Circuit Diagram



### Circuit Parameters

Part No.	R1[ohm]	L1[nH]	C1[pF]	R2[ohm]	L2[nH]	C2[pF]	R3[ohm]	R4[Gohm]	C4[pF]	R5[Gohm]	K1
ACM7060-301-2PL-TL01	100	1.0	0.01	898	645	0.163	0.0033	1	0.20	1	0.73566
ACM7060-701-2PL-TL01	100	1.0	0.01	1,980	1,680	0.186	0.005	1	0.20	1	0.75726