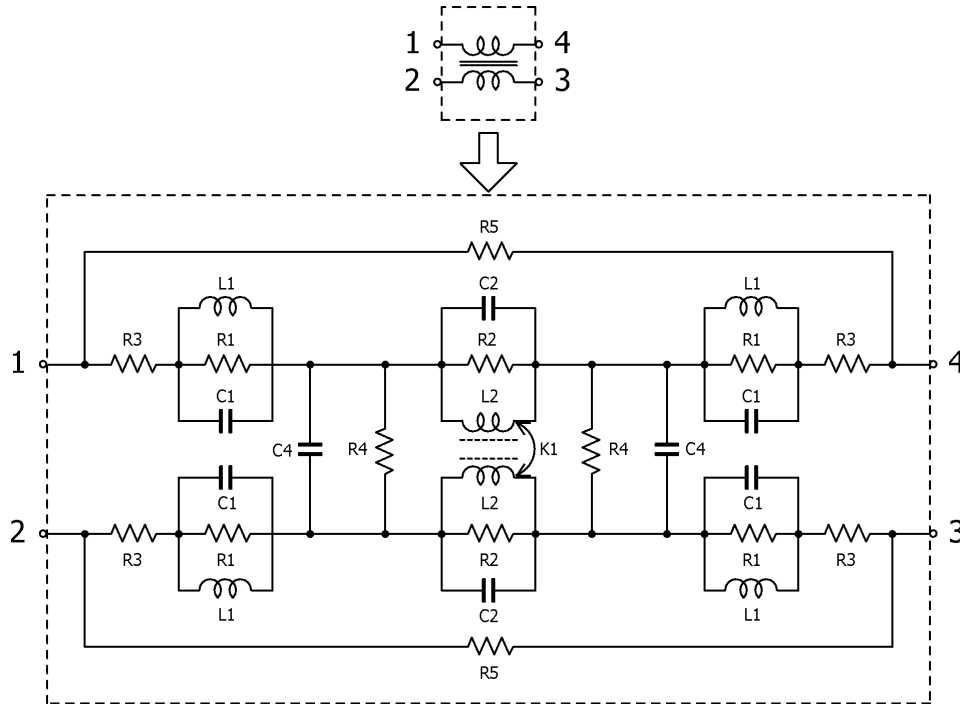


## Power Line Common Mode Chokes/Filters

May 23, 2024  
Simple Model

Commercial Grade for Power Line / ACM9070 series

### Circuit Diagram



### Circuit Parameters

| Part No.             | R1[ohm] | L1[nH] | C1[pF] | R2[ohm] | L2[nH] | C2[pF] | R3[ohm] | R4[Gohm] | C4[pF] | R5[Gohm] | K1      |
|----------------------|---------|--------|--------|---------|--------|--------|---------|----------|--------|----------|---------|
| ACM9070-701-2PL-TL01 | 100     | 1.0    | 0.01   | 1,850   | 1,590  | 0.314  | 0.0028  | 1        | 0.31   | 1        | 0.76923 |