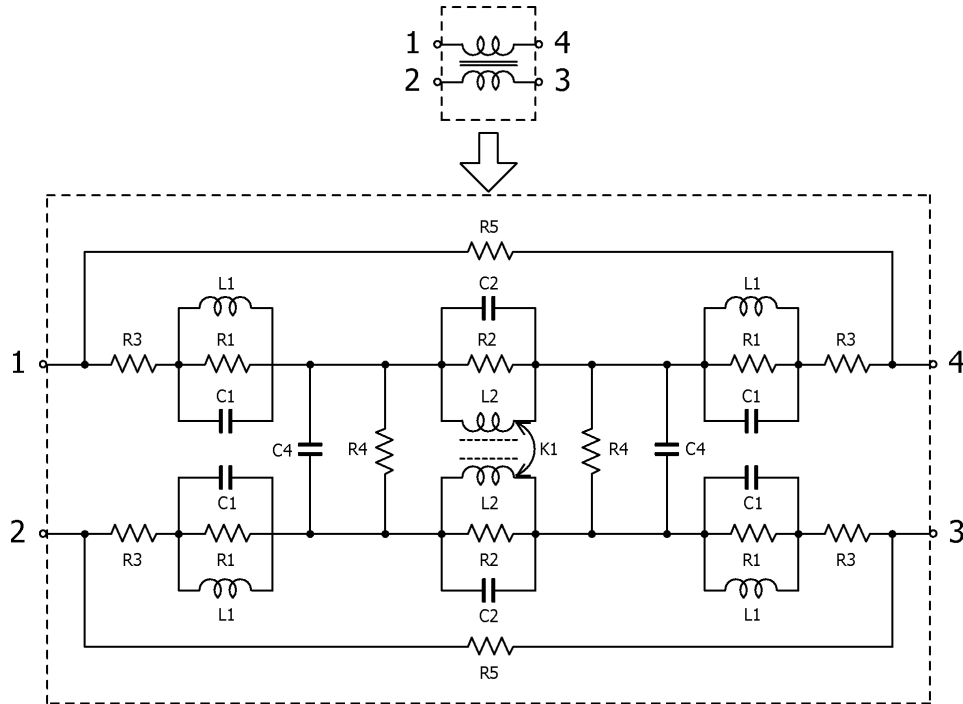


Power Line Common Mode Chokes/Filters

May 23, 2024
Simple Model

Commercial Grade for Power Line / ACP3225 series

Circuit Diagram



Circuit Parameters

Part No.	R1[ohm]	L1[nH]	C1[pF]	R2[ohm]	L2[nH]	C2[pF]	R3[ohm]	R4[Gohm]	C4[pF]	R5[Gohm]	K1
ACP3225-501-2P-T000	100	1.0	0.01	1,500	1,810	0.071	0.023	1	2.28	1	0.99000
ACP3225-102-2P-T000	8.5	5.0	0.01	2,700	2,530	0.056	0.029	1	2.95	1	1.00000